

## SPECIFICATIONS

**SP22E**

### ELECTRICAL

RESISTANCE VALUES _____	500,1K,2K,5K,10K,20K,50K,100K
RESISTANCE TOLERANCE _____	±10%
LINEARITY(INDEPENDENT) _____	±1%
ELECTRICAL ANGLE _____	320°±5°
END RESISTANCE _____	0.2% MAX.
RESOLUTION _____	ESSENTIALLY INFINITE
INSULATION RESISTANCE _____	1000MEGOHMS @ 500 VDC
DIELECTRIC STRENGTH _____	500 VAC
POWER RATING _____	1 WATT
CONTACT RESIS. VARIATION _____	BELOW 2% C.R.V.
OUTPUT SMOOTHNESS _____	LESS THAN 0.1%

### MECHANICAL

NO OF TURNS _____	1
MECHANICAL ROTATION _____	320±5°
ROTATIONAL LIFE _____	10,000,000 TURNS
STOP STRENGTH _____	84 OZ.IN.MIN.
TORQUE _____	BELOW 0.8 OZ.IN.
WEIGHT _____	APPROX 0.7 OZ.

### ENVIRONMENTAL

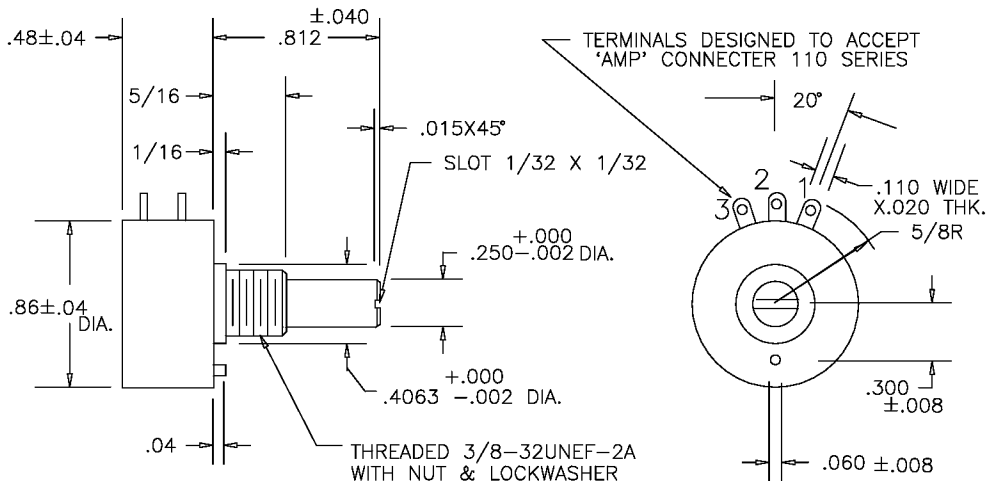
OPERATING TEMPERATURE _____	-55°C TO +105°C
TEMPERATURE COEFFICIENT _____	±400 PPM/°C
VIBRATION _____	10HZ TO 2000HZ 15G
SHOCK _____	50G 11mS
MOISTURE RESISTANCE _____	40°C 95%RH 120 HOURS

### MATERIALS

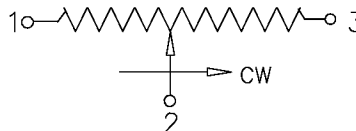
HOUSING-----	HIGH TEMP. THERMO PLASTIC
TERMINALS-----	GOLD PLATED BRASS
BUSHING-----	BRASS
SHAFT-----	STAINLESS STEEL
ELEMENT-----	CONDUCTIVE PLASTIC

### OPTIONAL FEATURES

- SHAFT MODIFICATIONS
- REAR SHAFT
- CENTER TAP
- MULTI-GANGED UP TO 6 SECTIONS
- O'RING SHAFT SEAL
- SPECIAL ANGLES



### SCHEMATIC



Precision Sales Inc.  
[www.precisionsales.com](http://www.precisionsales.com)  
[eparts@precisionsales.com](mailto:eparts@precisionsales.com)  
 610-359-1002