

OF POLARIS INDUSTRIAL ENTERPRISES, INC. NO DISCLOSURE, REPRODUCTION, OR USE OF ANY PART THERE OF MAY BE MADE EXCEPT BY WRITTEN PERMISSION.

REV.	BY	DATE	SW22B
B	BT	11-6-95	ADDED MECHANICAL STOP

SPECIFICATIONS

ELECTRICAL

RESISTANCE RANGE _____
 RESISTANCE TOLERANCE _____ ±3%
 LINEARITY (INDEPENDENT) _____ ±0.5%
 ELECTRICAL ANGLE _____ 330°±2°
 END RESISTANCE _____ 0.2% MAX.
 RESOLUTION _____ SEE CHART
 INSULATION RESISTANCE _____ 1000MEGOHMS @1000 VDC
 DIELECTRIC STRENGTH _____ 1000 VAC
 POWER RATING _____ 0.5WATTS
 ELECTRICAL NOISE _____ 100 OHM MAX.

MECHANICAL

NO OF TURNS _____ 1
 MECHANICAL ROTATION _____ 330+10°-0°
 SHAFT END PLAY _____ .005 IN. T.I.R. MAX.
 ROTATIONAL LIFE _____ 1,000,000 TURNS
 STOP STRENGTH _____ N/A
 TORQUE _____ 0.21 OZ.IN
 WEIGHT _____ -0.530Z.

ENVIRONMENTAL

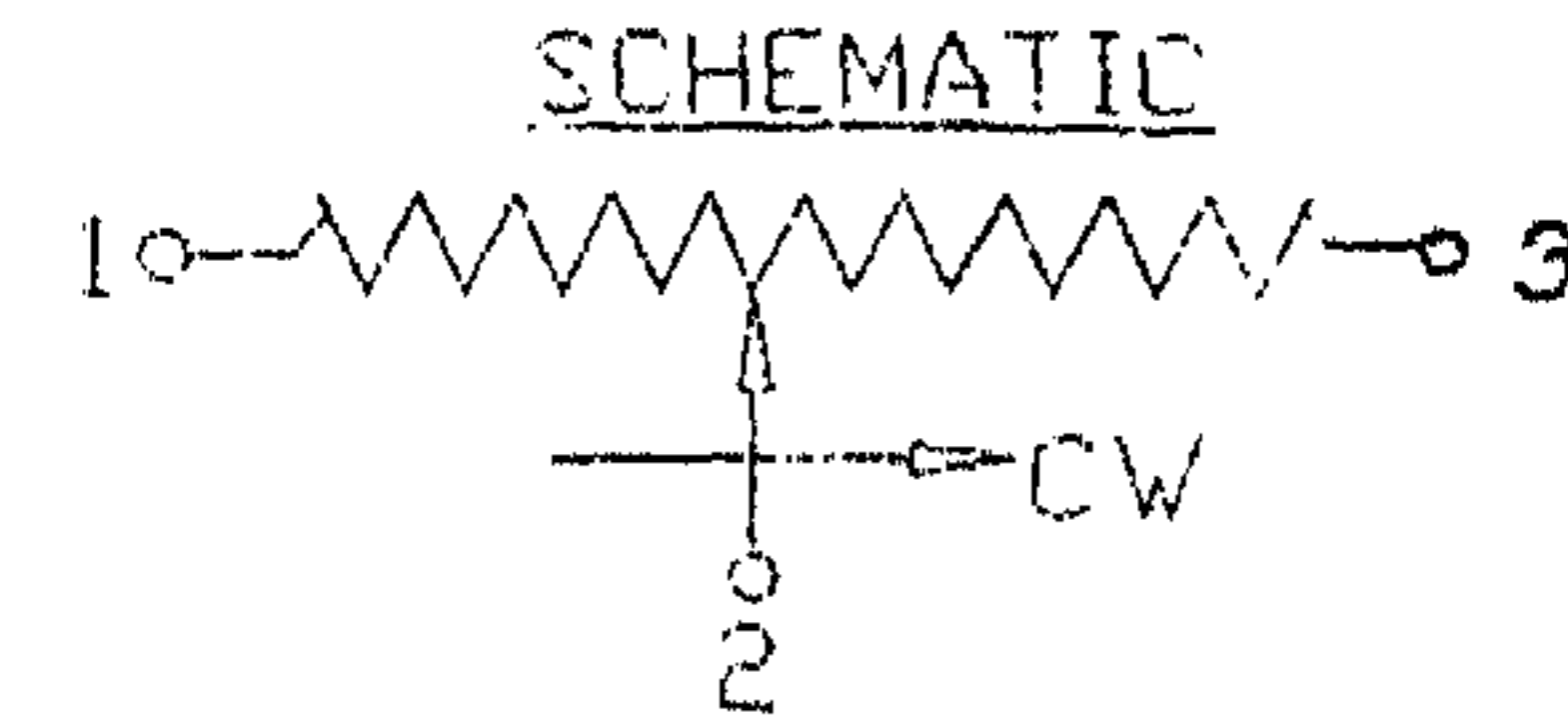
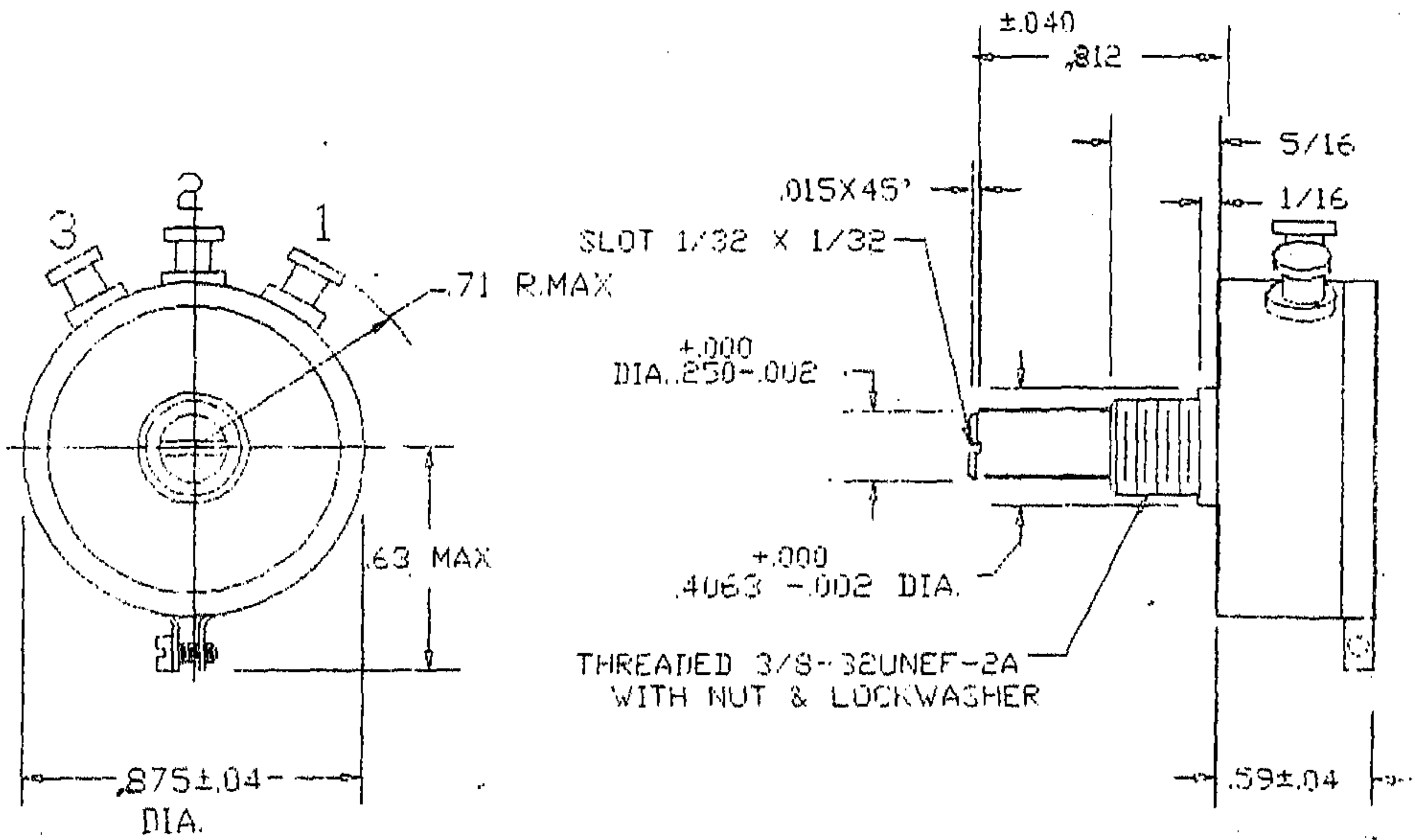
OPERATING TEMPERATURE _____ -55°C TO +105°C
 TEMPERATURE COEFFICIENT _____ SEE CHART
 VIBRATION _____ 10HZ TO 2000HZ 15G
 SHOCK _____ 50G
 MOISTURE RESISTANCE _____ 40°C 95%RH 240 HOURS

MATERIALS

HOUSING _____ ANODIZED ALUMINUM
 SHAFT _____ STAINLESS STEEL
 TERMINALS _____ GOLD PLATED BRASS
 BEARINGS _____ SLEEVE

OPTIONAL FEATURES

SHAFT MODIFICATIONS
 REAR SHAFT
 CENTER TAP
 O-RING SHAFT SEAL
 SPECIAL ANGLES



NOTES:

WIPEWOUND RESISTANCE ELEMENT

RESOLUTION & TEMPERATURE COEFFICIENT CHART

RESISTANCE VALUE	50	100	200	500	1K	2K	5K	10K	20K
RESOLUTION %	.30	.27	.21	.22	.17	.14	.10	.08	.06
TEMPCO PPM/°C	80	80	80	20	20	20	20	20	20

TOLERANCES XX = +/- .010" FRACT. = +/- 1/64" XXX = +/- .005" ANGLES = +/- 1/2° ALL SPECIFICATIONS SUBJECT TO CHANGE WITHOUT NOTICE USED ON:	SCALE	DATE: 6-7-	Precision Sales - www.precisionsales.com 610-359-1002 FAX 610-353-1674	TITLE SINGLE TURN POTENTIOMETER	PART NO. SW22B
	NONE	BY			
CODE IDENT: 194					