

THIS DOCUMENT CONTAINS PROPRIETARY DATA OF POLARIS INDUSTRIAL ENTERPRISES, INC. NO DISCLOSURE, REPRODUCTION, OR USE OF ANY PART THERE OF MAY BE MADE EXCEPT BY WRITTEN PERMISSION.

REV.	BY	DATE	APPRVL.	P/N	SK22E
A	GC	12-18-00		NEW RELEASE	

ELECTRICAL

INPUT VOLTAGE ----- 5 V.D.C.
 EFFECTIVE ELECTRICAL ANGLE ----- $\pm 50^\circ$ (100°)
 EFFECTIVE OUTPUT ----- ABT. 10%~90% V_{in}
 INDEPENDENT LINEARITY ----- $\pm 0.5\%$
 OPERATING TEMPERATURE ----- $-40^\circ\text{C} + 105^\circ\text{C}$
 RESOLUTION ----- INFINITE
 LOAD RESISTANCE ----- OVER 10K OHM
 DIELECTRIC STRENGTH ----- 1 MINUTE @ 500V.A.C.
 INSULATION RESISTANCE ----- OVER 100MEG @ 500VDC

MECHANICAL

MECHANICAL ANGLE ----- CONTINUOUS
 STARTING TORQUE ----- BELOW $1\text{mN}\cdot\text{m}$ (10gf*cm)
 LIFE EXPECTANCY ----- ABT 100,000,000
 (SHAFT REVOLUTIONS) ----- (BEARING LIFE)
 WEIGHT ----- ABT. 15g

ENVIRONMENTAL

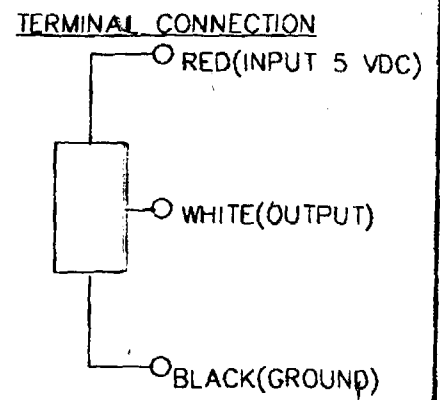
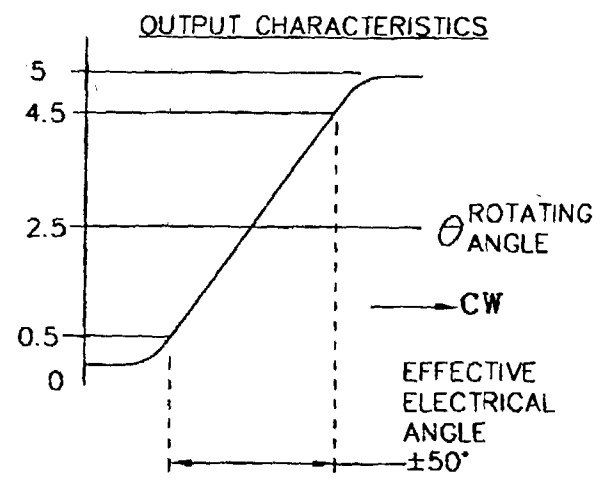
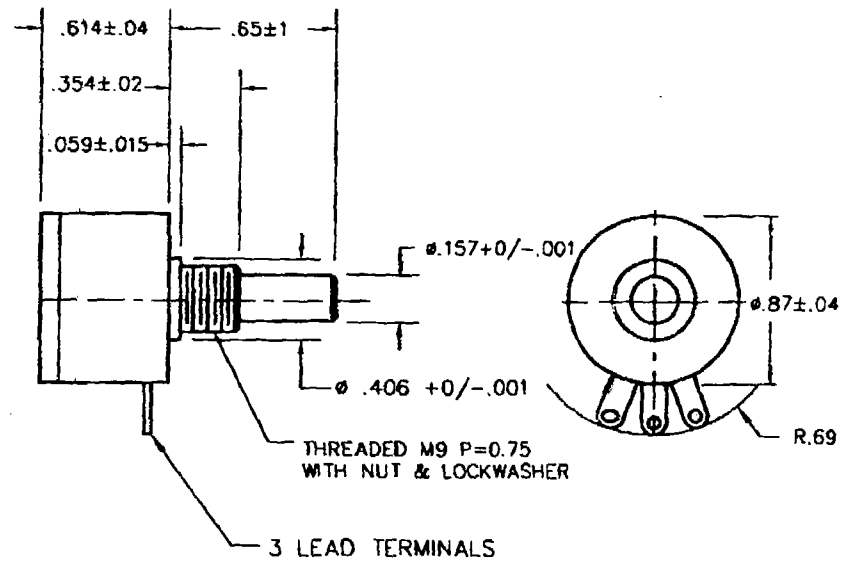
THERMAL SHOCK ----- $-50^\circ\text{C} \sim +105^\circ\text{C}$ 5 CYCLES
 EXPOSURE AT LOW TEMPERATURE -- 24 HOURS AT -50°C
 MOISTURE RESISTANCE ----- 40°C 95% RH 120 HOURS
 VIBRATION ----- 10~2,000Hz 196m/S²
 SHOCK ----- 980m/S² (WITHIN 18 TIMES) 12 HOURS

MATERIALS

HOUSING ----- ALUMINUM ANODIZED
 REAR LID ----- HIGH TEMP PLASTIC
 SHAFT ----- STAINLESS STEEL

FEATURES

NEW IMPROVED 'STATE OF THE ART' DESIGN
 OUTPUTS UP TO 90% OF VOLTAGE 'IN'.
 UP TO 3 TIMES BETTER LINEARITY THAN
 OTHER MODELS.
 SEALED VERSION AND SERVOMOUNT TYPES
 ARE AVAILABLE.



TOLERANCES XX = +/- .010" FRACT. = +/- 1/84" XXX = +/- .005" ANGLES = +/- 1/2" ALL SPECIFICATIONS SUBJECT TO CHANGE WITHOUT NOTICE.	SCALE	DATE: 12/18/00	Precision Sales & Equipment Inc 610-359-1002 F : 610-358-1674	TITLE	PART NO. SK22E
	NONE	BY GC		CONTACTLESS	
		APPRV'D		POTENTIOMETER	
	CODE IDENT: 19477				