

Conductive Plastic Angle Sensor

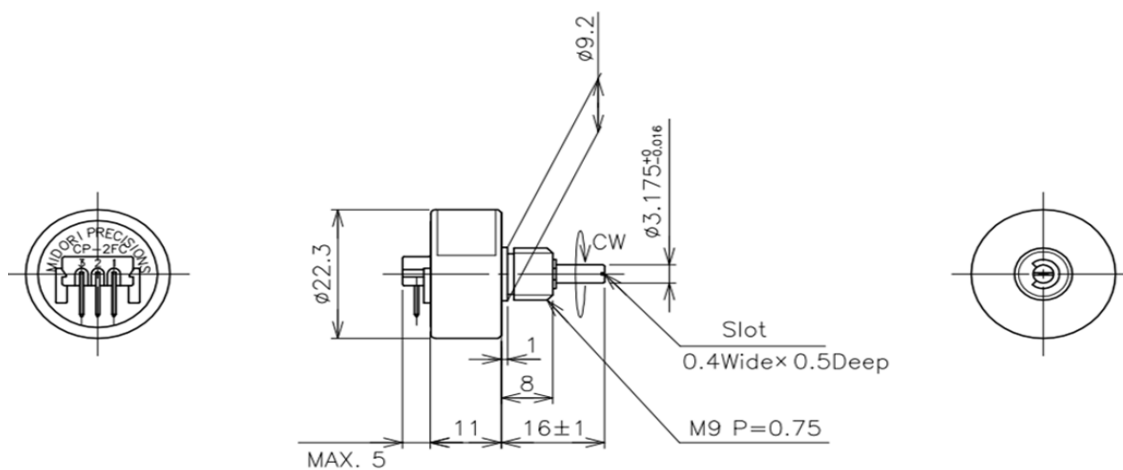
CP-2FCB(m) Series

- Conductive Plastic Angle Sensor
- Effective Electrical Travel : 340°
- Independent Linearity : $\pm 1\%$
- Bushing Mount
- Metal Sleeve Bearing

[Material]

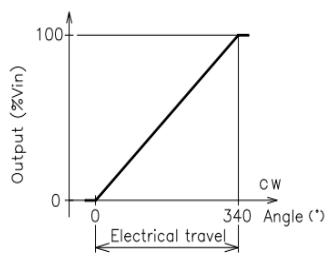
- Housing : Aluminum
- Shaft : Stainless Steel
- Bearing : Copper Alloy

■ Dimension (mm)

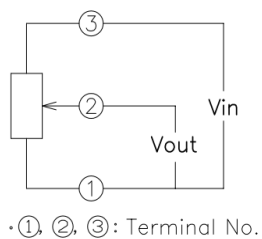


Matching Connector (**Not Included**): Hirose Electric Co. P/N HNC2-2.5S-3 (Housing), P/N HNC2-2.5S-D-A (PIN)

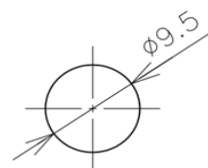
■ Output Characteristics



■ Schematic



■ Mounting



(Model No.)	CP-2FCB(m)
--------------------	-------------------

Electrical Specifications	
Effective Electrical Travel	340° + 2°, -3°
Total Resistance	1K, 5K Ω
Total Resistance Tolerance	±20%
Independent Linearity	±1%
Rated Dissipation	0.5W/50°C
Output Smoothness	MAX. 0.1%
Insulation Resistance	MIN. 100MΩ/DC1000V
Dielectric Strength	AC1000V/ 1 Minute
TC of Resistance	±1000 ppm/K

Mechanical Specifications	
Total Mechanical Travel	360° endless
Torque	MAX. 2 mN · m
Thrust Load Tolerance	2 N
Radial Load Tolerance	5 N
Mass	Approx. 20g

Environmental Specifications	
Life Cycles	10 Million Cycle
Category Temperature Range	-40 ~ +100 °C
Storage Temperature Range	-40 ~ +100 °C
Vibration	150m/S ² 2000Hz 3axis 2hours each
Shock	500m/S ² 11ms 6directions 3times

■ Accessories

M9 nut

Inner tooth lock washer 1piece each

■ Handling Instruction

- To avoid burnout of resistive element, do not supply more than 1mA current to terminal 2.
- Miswiring might cause burnout of resistive element.
- To reduce sliding noise, add load resistance should be more than 100times and less than 1000times of total resistance.
- Slight continuous vibration such as dither might cause short lifetime of the sensor.

Precision Sales Inc
38 Bishop Hollow Rd.
Newtown Square PA 19073 USA
610-359-1002
F: 610-353-1674
www.precisionsales.com