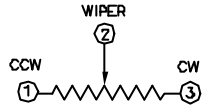
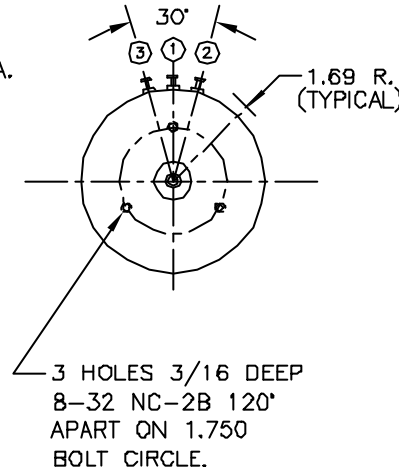
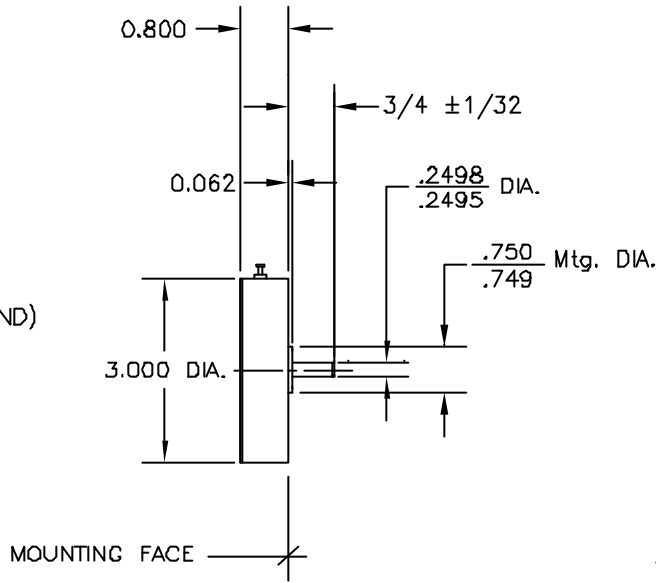


# 300-M73



(VIEWED FROM SHAFT END)  
SCHEMATIC



REVISIONS				
C/L	DESCRIPTION	BY	APP'D	DATE
A	REVISED.	U.C	EM	10/09/63
B	REVISED.	U.C	R.H	03/16/64
C	REVISED.	ADM	EM	08/24/88
D	REVISED.	Bora Sunar	β	11/12/93
E	REDRAWN ON ACAD	Bora Sunar	β	02/19/97

DASH No.	RESIST. (Ohms) Δ	RESOL. (%) Δ	LIN. (±%) Δ	ENG. REF.
50R	50	.147	.30	-1
101	100	.114	.25	-2
251	250	.085	.20	-3
501	500	.060	.15	-4
102	1,000	.060	.15	-5
202	2,000	.051	.10	-6
252	2,500	.041	.10	-7
502	5,000	.043	.10	-8
103	10,000	.036	.08	-9
203	20,000	.032	.07	-10
253	25,000	.031	.07	-11
503	50,000	.025	.06	-12
104	100,000	.026	.06	-13

19. ADD 1/2" TO LENGTH FOR EACH ADDITIONAL CUP.
18. GOLD PLATED TERMINALS.
17. PRECIOUS METAL CONTACTS.
16. STAINLESS STEEL BALL BEARINGS.
15. STAINLESS STEEL SHAFT.
14. ANODIZED ALUMINUM HOUSING.
13. SHAFT ROTATIONAL TORQUE: 1.0 OUNCE-INCH, MAX.
12. EQUIVALENT NOISE RESISTANCE: 100 OHMS MAX.
11. LIFE: 1,000,000 REV. AT 40 RPM.
10. DIELECTRIC STRENGTH: 1000 V RMS FOR 60 SEC.
9. WATTAGE: 7 WATTS AT 85 °C DERATED TO ZERO AT 135 °C.
8. OPERATING TEMPERATURE RANGE: -55° TO +135 °C.
7. TEMPERATURE COEFFICIENT RESISTANCE WIRE: .000020 ohms/ohm/°C FOR VALUES 50 OHMS OR GREATER.
6. MECHANICAL ANGLE: 360° CONTINUOUS
5. ELECTRICAL FUNCTION ANGLE: 358° ±1°.
4. INDEPENDENT LINEARITY: SEE CHART.
3. RESOLUTION: SEE CHART.
2. RESISTANCE TOLERANCE: ±3%
1. RESISTANCE: SEE CHART (OTHER VALUES ON REQUEST)

Precision Sales Inc  
[www.precisionsales.com](http://www.precisionsales.com)  
 eparts@ix.netcom.com  
 610-59-1002