

THIS DOCUMENT CONTAINS PROPRIETARY DATA OF POLARIS INDUSTRIAL ENTERPRISES, INC. NO DISCLOSURE, REPRODUCTION, OR USE OF ANY PART THERE OF MAY BE MADE EXCEPT BY WRITTEN PERMISSION.

REV.	BY	DATE	APPRVL.	P/N	SK22B
A	BT	1-27-99	BT	NEW RELEASE	

ELECTRICAL

INPUT VOLTAGE ----- 5 V.D.C.
 EFFECTIVE ELECTRICAL ANGLE ----- ±45°
 EFFECTIVE OUTPUT ----- ABT.10%~90% V_{in}
 INDEPENDENT LINEARITY ----- ±0.5%
 OPERATING TEMPERATURE ----- -40°C+105°C
 RESOLUTION ----- INFINITE
 LOAD RESISTANCE ----- OVER 10K OHM
 DIELECTRIC STRENGTH ----- 1 MINUTE @ 500V.A.C.
 INSULATION RESISTANCE ----- OVER 100MEG @ 500VDC

MECHANICAL

MECHANICAL ANGLE ----- CONTINUOUS
 STARTING TORQUE ----- BELOW 1mN*m(10gf*cm)
 LIFE EXPECTANCY ----- ABT 100,000,000
 (SHAFT REVOLUTIONS) ----- (BEARING LIFE)
 WEIGHT ----- ABT. 15g

ENVIRONMENTAL

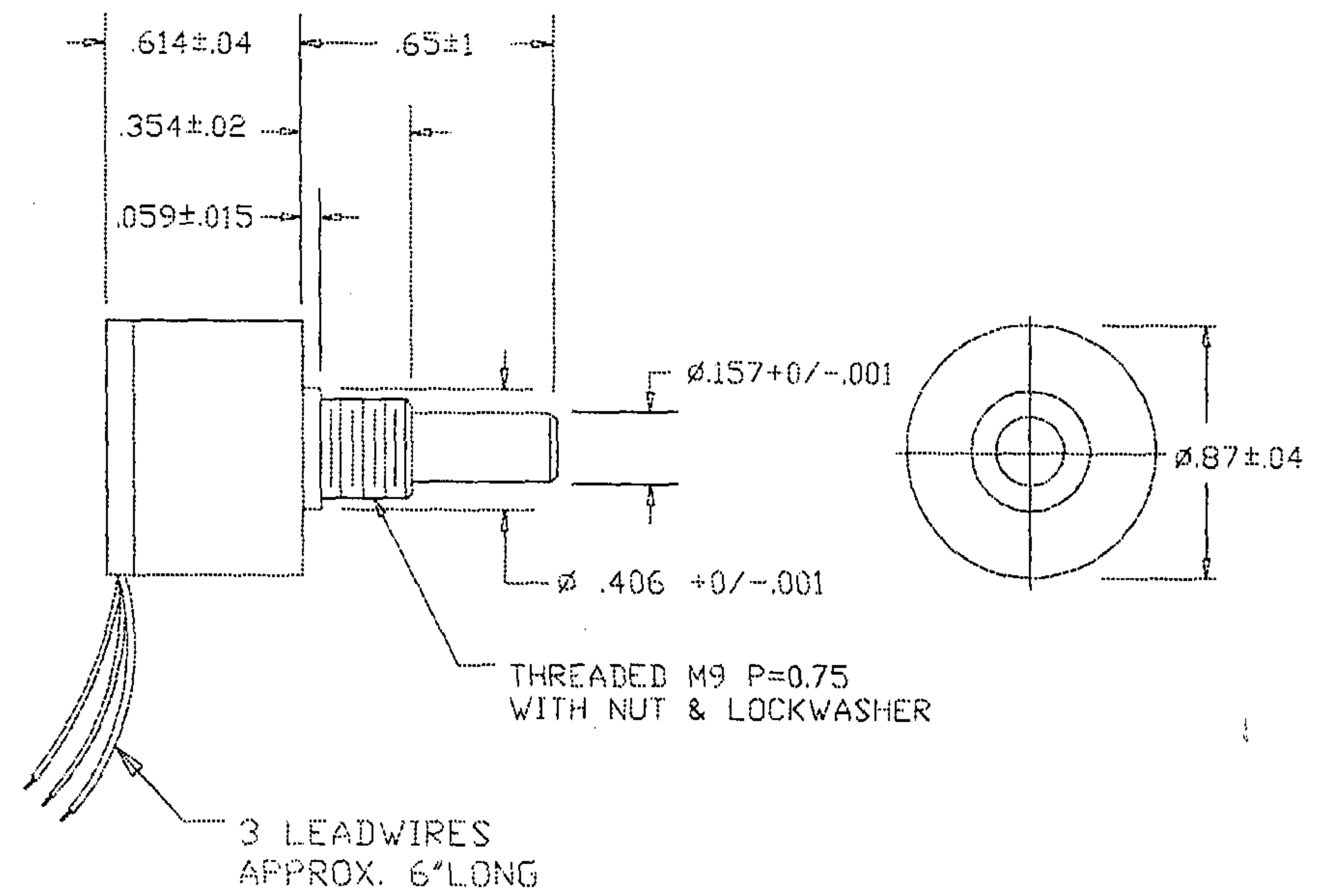
THERMAL SHOCK ----- -50°C~+105°C 5 CYCLES
 EXPOSURE AT LOW TEMPERATURE ----- 24 HOURS AT -50°C
 MOISTURE RESISTANCE ----- 40°C 95% RH 120 HOURS
 VIBRATION ----- 10~2,000Hz 20G 12 HOURS
 SHOCK ----- 100G(WITHIN 18 TIMES)

MATERIALS

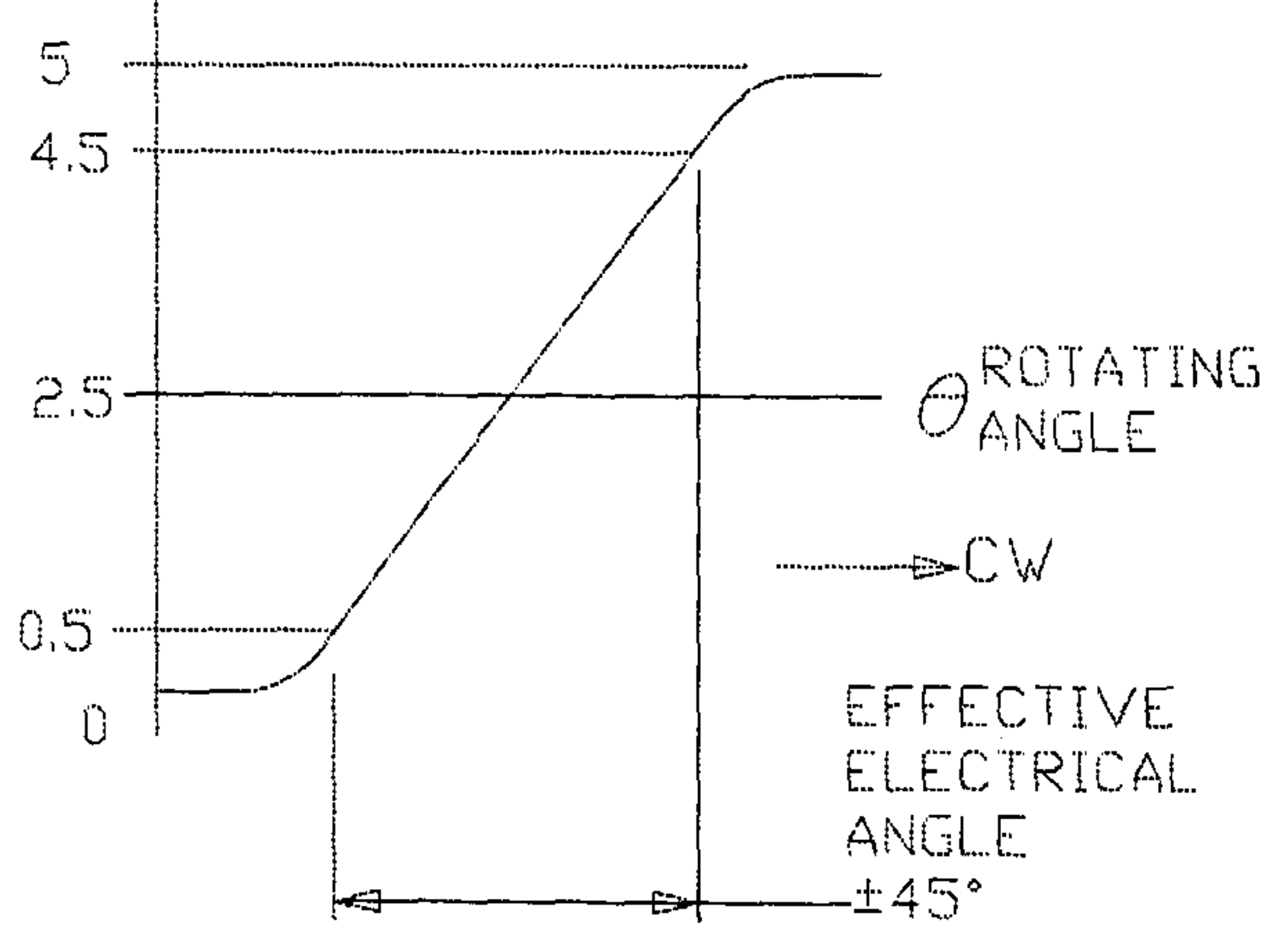
HOUSING ----- ALUMINUM ANODIZED
 REAR LID ----- HIGH TEMP PLASTIC
 SHAFT ----- STAINLESS STEEL
 WIRES ----- 26 AWG

FEATURES

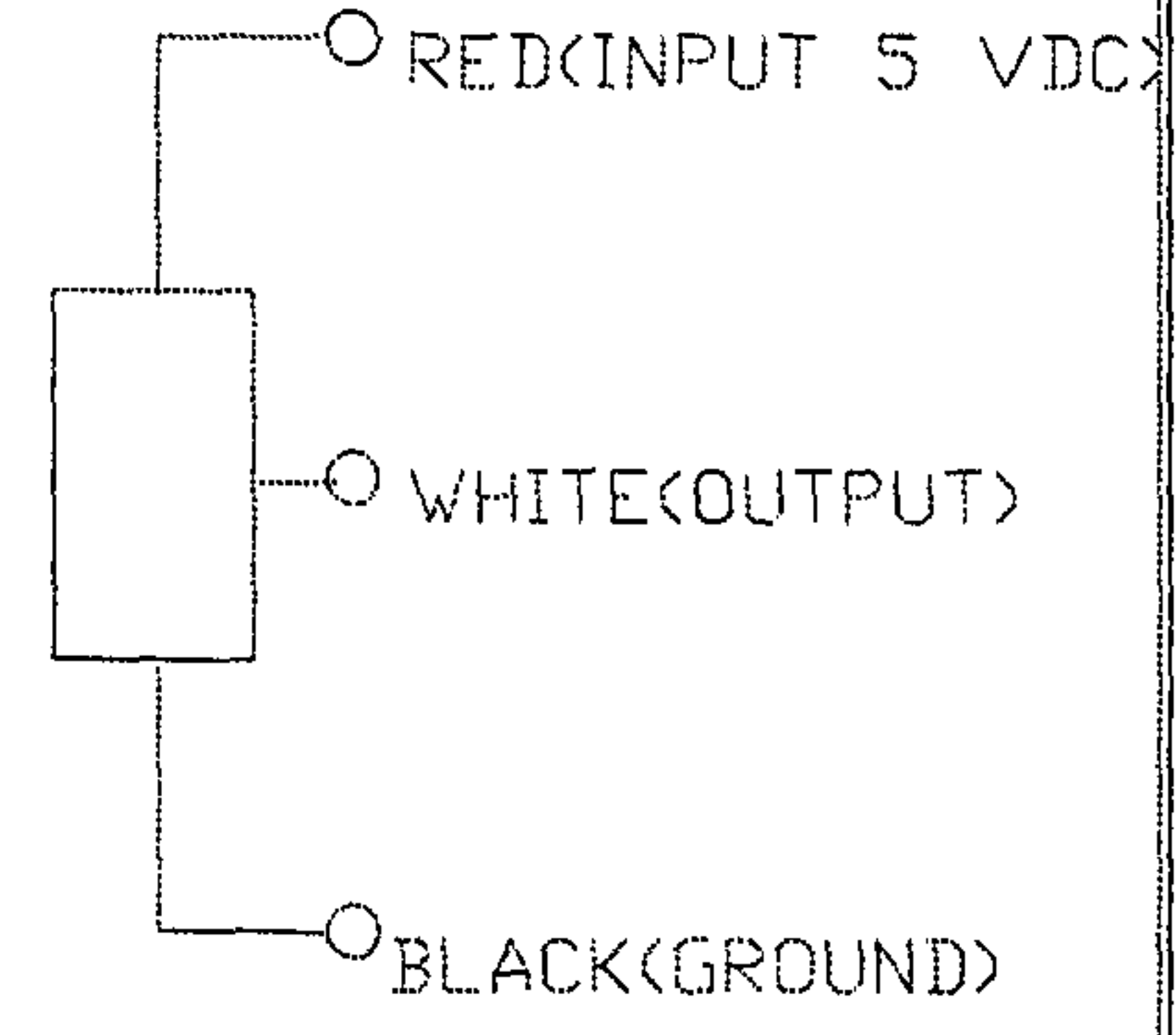
NEW IMPROVED 'STATE OF THE ART' DESIGN
 OUTPUTS UP TO 90% OF VOLTAGE 'IN'.
 UP TO 3 TIMES BETTER LINEARITY THAN
 OTHER MODELS.
 SEALED VERSION AND SERVOMOUNT TYPES
 ARE AVAILABLE.



OUTPUT CHARACTERISTICS



TERMINAL CONNECTION



TOLERANCES XX = +/- .010" FRACT. = +/- 1/64" XXX = +/- .005" ANGLES = +/- 1/2" ALL SPECIFICATIONS SUBJECT TO CHANGE WITHOUT NOTICE	SCALE	DATE: 1-14-98	Precision Sales & Equipment Inc. 610-359-1002 FAX 610-353-1674	TITLE CONTACTLESS POTENTIOMETER	PART NO. SK22B
	NONE	BY			
CODE IDENT: 19477					