

SPECIFICATIONS

REV.	BY	DATE	PART NO.	SPSC22S

ELECTRICAL

- RESISTANCE RANGE _____ 500 TO 50K OHMS
- RESISTANCE TOLERANCE _____ ±15%
- CONFORMITY (PEAK TO PEAK) _____ ±2%
- ELECTRICAL ANGLE _____ 360°
- RESOLUTION _____ ESSENTIALLY INFINITE
- INSULATION RESISTANCE _____ 1000MEGOHMS @500 VDC
- DIELECTRIC STRENGTH _____ 500 VAC
- POWER RATING _____ 0.5 WATTS
- OUTPUT SMOOTHNESS _____ <0.1% AGAINST INPUT VOLTAGE
- CONTACT RESISTANCE VARIATION _____ BELOW 8% C.R.V.
- MAXIMUM WORKING VOLTAGE _____ 250V

MECHANICAL

- NO OF TURNS _____ 1
- MECHANICAL ROTATION _____ CONTINUOUS
- ROTATIONAL LIFE _____ 10,000,000 TURNS
- STARTING TORQUE _____ BELOW 0.4 OZ. IN. .875±.040 DIA
- WEIGHT _____ 0.7 OZ.

ENVIRONMENTAL

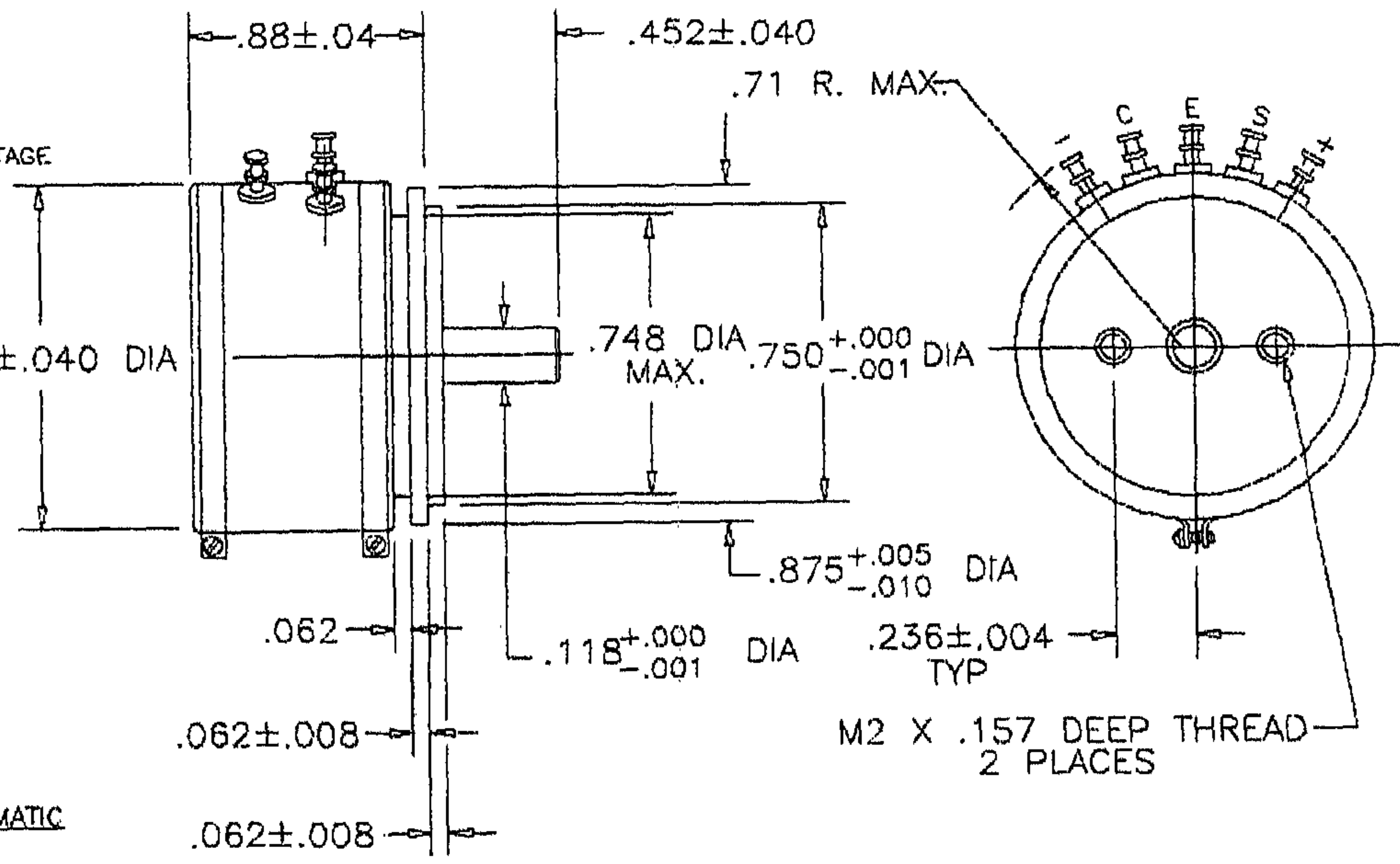
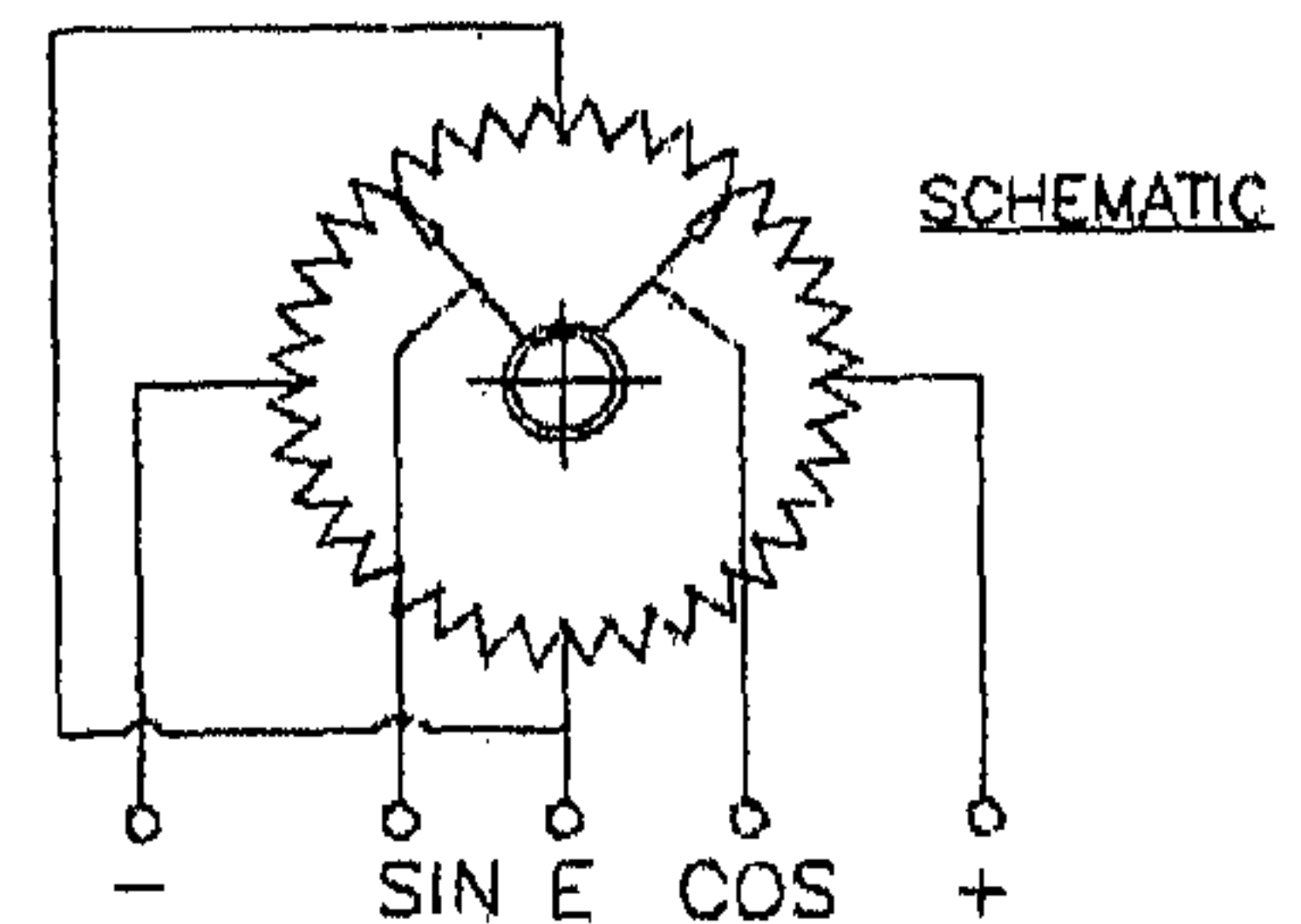
- OPERATING TEMPERATURE _____ -55°C TO +105°C
- TEMPERATURE COEFFICIENT _____ ±400p.p.m./°C
- VIBRATION _____ 10HZ TO 2000HZ 15G
- SHOCK _____ 50G
- MOISTURE RESISTANCE _____ 40°C 95%RH 120 HOURS

MATERIALS

- HOUSING _____ ANODIZED ALUMINUM
- SHAFT _____ STAINLESS STEEL
- TERMINALS _____ GOLD PLATED BRASS
- RESISTANCE ELEMENT _____ CONDUCTIVE PLASTIC

OPTIONAL FEATURES

- SHAFT MODIFICATIONS
- REAR SHAFT
- O-RING SHAFT SEAL
- BUSHING MOUNT
- MULTIPLE SECTIONS



1 =
7-29
91

USED ON

CONDUCTIVE PLASTIC RESISTANCE ELEMENT	SCALE	NONE	THIS DOCUMENT CONTAINS PROPRIETARY DATA OF POLARIS INDUSTRIAL ENTERPRISES, INC. NO DISCLOSURE, REPRODUCTION, OR USE OF ANY PART THERE OF MAY BE MADE EXCEPT BY WRITTEN PERMISSION.	Precision Sales & Equipment Inc 610-359-1002 F: 610-353-1674
	DATE:	3-24-93		
	BY	PD		
<p><u>TOLERANCES</u></p> XX = +/- .010" FRACT. = +/- 1/64" XXX = +/- .005" ANGLES = +/- 1/2" ALL SPECIFICATIONS SUBJECT TO CHANGE WITHOUT NOTICE.	APPR'V'D	BT	<p><u>TITLE</u></p> SINE-COSINE SINGLE TURN POTENTIOMETER	<p><u>PART NO.</u></p> SPSC22S
	CODE IDENT: 19477			