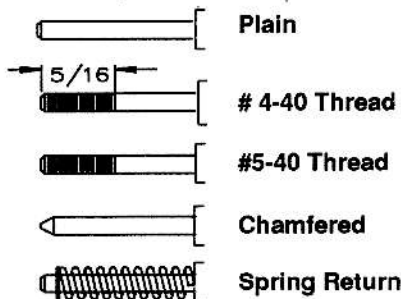
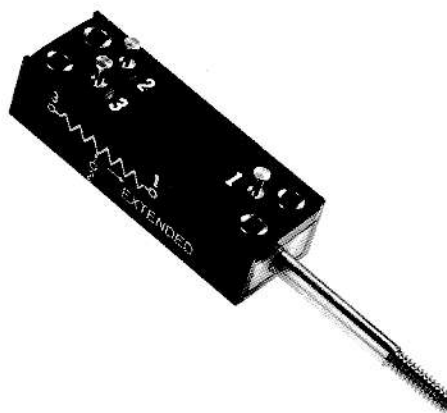


1/2" w x 7/16" h
Conductive Plastic

● FEATURES:

- Strokes from 1/2" to 4"
- Essentially infinite resolution
- Long life
- Excellent high speed tracking
- Five shaft styles available



● SPECIFICATIONS

ELECTRICAL	LCP12-12	LCP12-25	LCP12-50	LCP12-100
Stroke (Electrical).....	1/2" ±0.02	1" ±0.02	2" ±0.02	4" ±0.02
Resolution.....	Essentially infinite			
Output Smoothness.....	Less than 0.1% of Input Voltage			
Contact Resistance Variation.....	Less than 2%			
Resistance Tolerance.....	±20%			
Linearity (Independent).....				
Linearity (Best Practical).....	±1.0%	±0.7%	±0.5%	±0.3%
Insulation Resistance.....	1000 Megohms at 500 V.D.C. Minimum			
Dielectric Strength	500 V.A.C. Minimum			
MECHANICAL				
Stroke (Mechanical).....	1/2" +.1, -0	1" +.1, -0	2" +.1, -0	4" +.1, -0
Friction.....	0.4 Oz. In.			
Power Rating	0.2 Watt	0.4 Watt	0.7 Watt	1.2 Watt
Stop Strength.....	20 Oz. Min.			
Weight.....	10 Grams	15 Grams	25 Grams	35 Grams
ENVIRONMENTAL				
Operating Temperature Range.....	-30° to +105°C			
Life	20,000,000 Strokes			
Moisture Resistance	40°C 95%RH 120 Hours			
Shock	50G 11mS			
Vibration	10Hz to 2,000Hz 15G			
Temperature Coefficient	±400 PPM/°C			

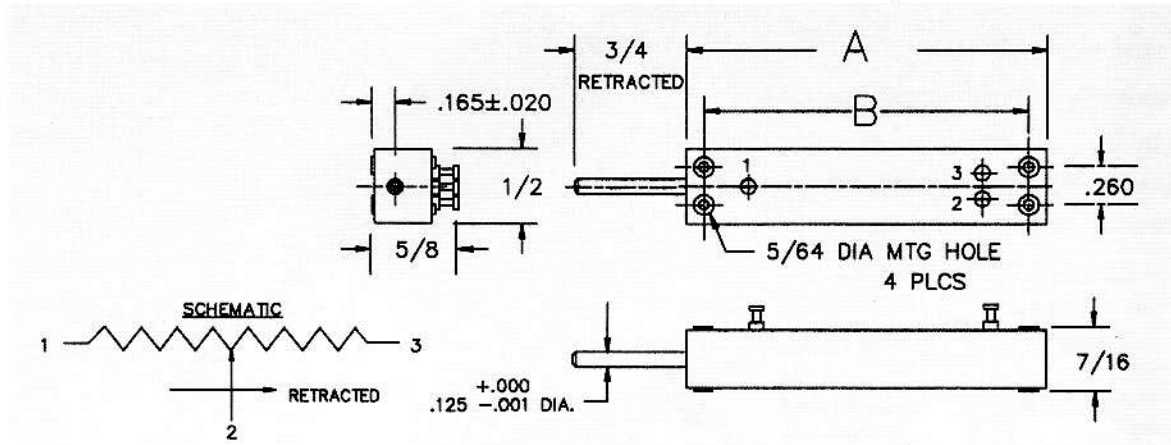
● STANDARD RESISTANCE VALUES (OHMS)

LCP12-12	LCP12-25	LCP12-50	LCP12-100
500, 1K, 2K, 5K, 10K	500, 1K, 2K, 5K, 10K	1K, 2K, 5K, 10K, 20K	1K, 2K, 5K, 10K, 20K

Specifications subject to change without notice.

LINEAR MOTIONS

1/2" w x 7/16" h
Conductive Plastic



MODEL NO'S.

SHAFT STYLES

LCP12P--(STROKE)--(RES.)	(P)		PLAIN
LCP12A-- " "	(A)		#4-40 THREAD
LCP12B-- " "	(B)		#5-40 THREAD
LCP12C-- " "	(C)		CHAMFERED
LCP12S-- " "	(S)		SPRING RETURN
LCP12S-100 (RES)		RETRACTED LENGTH OF SHAFT TO BE 1 1/4" FOR 4" STROKE SPRING RETURN.	

	LCP12-12	LCP12-25	LCP12-50	LCP12-100
"A" Dim. ±0.04	1.50	2.00	3.00	5.00
"B" Dim. ±0.02	1.26	1.77	2.75	4.76

MATERIALS USED

Housing Aluminum, Black Anodized
 Shaft Stainless Steel
 Lid High Temp. Plastic
 Terminals Gold Plated Brass

● OPTIONS:

- Wirewound Element -- MODEL LW12
- Special Stroke Lengths
- Special Shaft Modifications
- Bronze Bearing
- Extra Taps

HOW TO ORDER				(Example)			
MODEL NUMBER		SHAFT TYPE		STROKE		RESIS. VALUE	
LCP12	-	A	-	12	-	100K	

Specifications subject to change without notice.

LINEAR MOTIONS