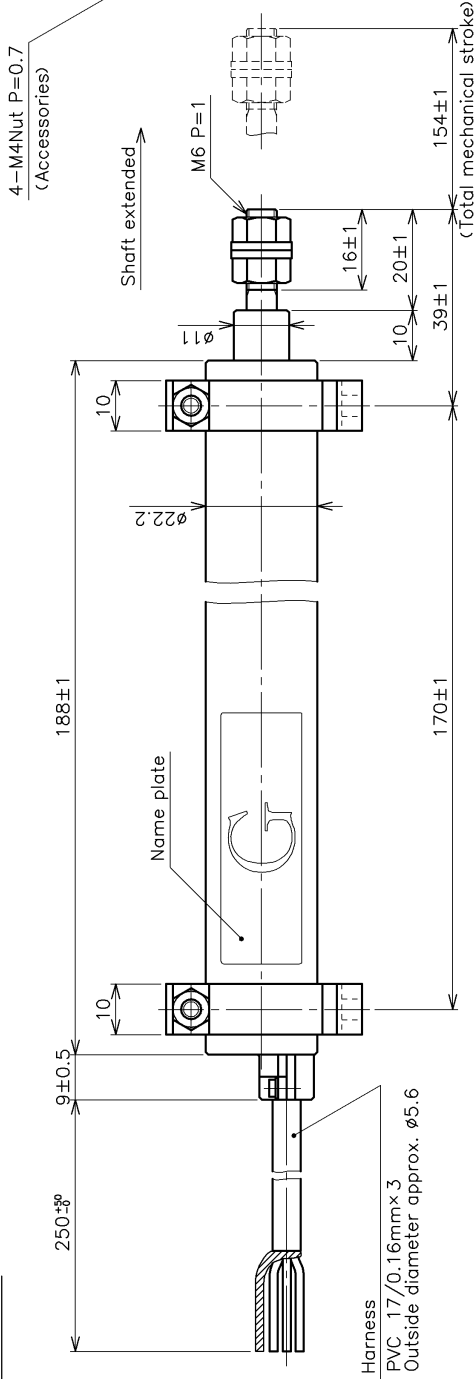


This product compliance with RoHS.

Fig.1

Dimension



Specifications

Effective electrical stroke : 150mm±0.5mm
 Total resistance : 1 · 2 · 5 · 10kΩ ±20%
 Independent linearity : ±0.3% (Available: ±0.1%)
 Maximum input voltage : DC36V/50C
 Output smoothness : 0.1% MAX.
 Insulation resistance : 100MΩ MIN. DC500V
 Dielectric strength : AC500V 1 minute
 Temperature coefficient of resistance : ±400ppm/K
 Total mechanical stroke : 154mm±1mm
 Friction : 4N MAX.
 Mass : Approx.200g

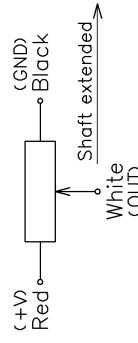
Life cycle : 5Million cycles MIN.
 Vibration : 100m/s², 20~500Hz, 3axis 2hours
 Shock : 500m/s², 11ms, 6direction 3times
 IP level : IP65 (Except harness)
 Operating temperature range : -25~+80C
 Storage temperature range : -25~+80C
 Dimension : See Fig.1
 Schematics : See Fig.2

Name plate



Fig.2

Schematics



• Red, White, Black indicate wire colors.

SPECIFICATION DRAWING

MODEL: LP-150FJUS

APPROVED	<i>Ke. Namiki</i>	TOLERANCE	DATE
CHECKED	<i>Ke. Namiki</i>	±10 ±0.25	3.26. 2014
DRAWN	<i>K. Yoshino</i>	10< ±100 ±0.5	SCALE
		100< ±1.0	1 : 1
		ANGLE ±1.5'	DRAWING PRACTICE

DRAWING NO.

C-MPE-B54

REV.

0



REV.	DATE	DESCRIPTION	APPROVED	CHECKED	DRAWN