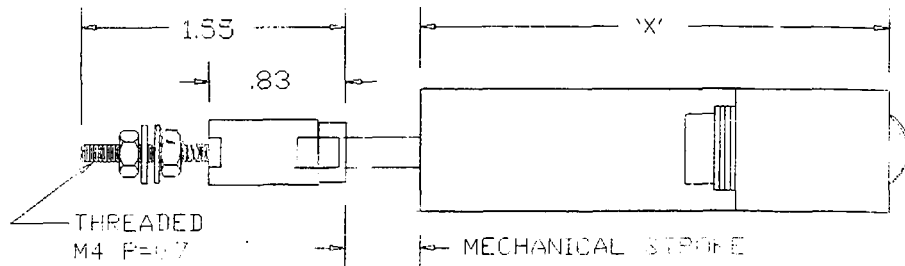


LCP18UC-Conductive plastic element  
 www.precisionsales.com eparts@precisionsales.com  
 610-359-1002

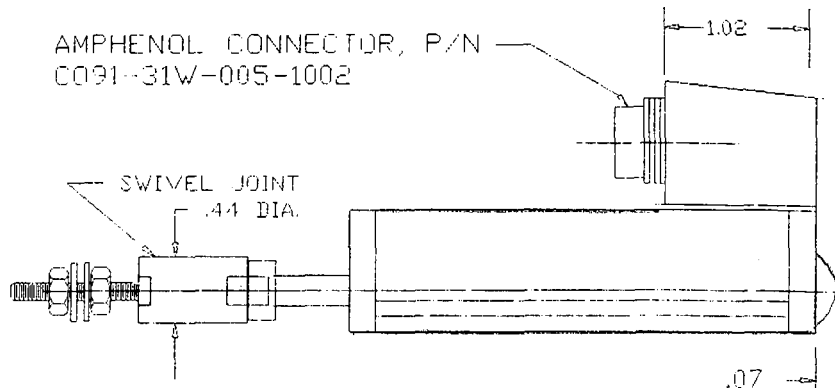
- ELECTRICAL**
- RESISTANCE RANGE — SEE CHART
  - RESISTANCE TOLERANCE — ±10%
  - LINEARITY INDEPENDENT — SEE TABLE
  - RESISTANCE TEMPERATURE COEFFICIENT — ESSENTIALLY INFINITE
  - STROKE — SEE TABLE
  - OUTPUT SMOOTHNESS — <0.1% AGAINST INPUT VOLTAGE
  - POWER RATING @40°C — SEE TABLE
  - INSULATION RESISTANCE — 1000 MEGOHMS AT 500 VDC
  - DIELECTRIC STRENGTH — 1 MIN @ 900VAC
  - LOAD REVERSAL CAPABILITY — BELOW 2% OF V.



- MECHANICAL**
- STROKE — SEE TABLE
  - STOP STRENGTH — 20 LBS. MIN.
  - LIFE — 20,000,000 STROKES

MARKING: ETI SYSTEMS  
 SCHEMATIC, DATE CODE, RESIST., LIN  
 NATIONAL ORIGIN

AMPHENOL CONNECTOR, P/N  
 C091-31W-005-1002

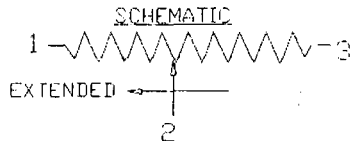
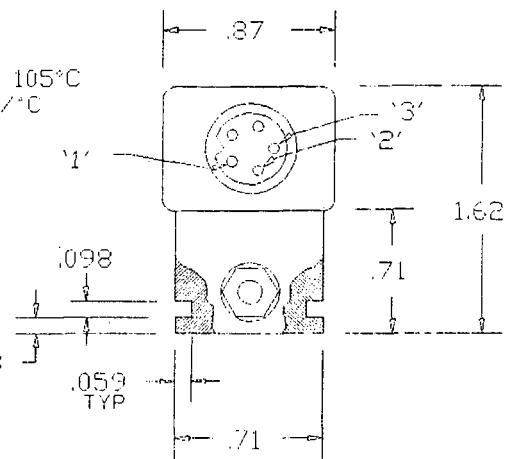


**ENVIRONMENTAL**

- OPERATING TEMPERATURE RANGE — 30°C TO 105°C
- TEMPERATURE COEFFICIENT — 400 PPM/°C

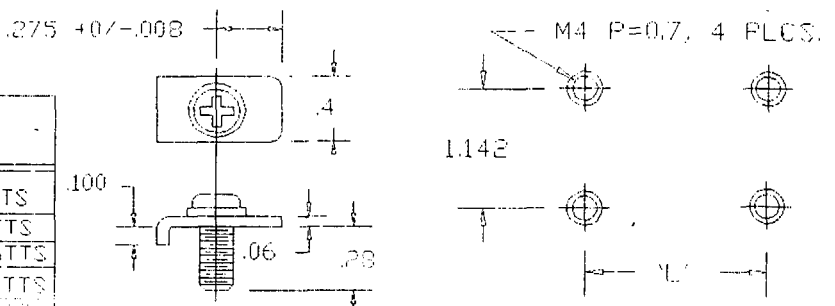
**NON-STANDARD OPTIONS**

- SPECIAL RESIS. & LINEARITY
- MACHINED SHAFTS
- EXTRA TAPE
- SPRING RETURN
- 7.874 (200MM) STROKE
- SEALED HOUSING (EXTEND LENGTH +6MM)
- REAR SHAFT EXTENSION



HOLDING CLEAT  
 (4 EACH) FURNISHED WITH UNIT

MOUNTING HOLE PATTERN



**DIMENSION TABLE**

DASH NO.	APPROX WEIGHT	MECHANICAL STROKE APPROX.	ELEC. STROKE ±.040	RESIS. RANGE	LINEARITY STANDARD / PRECISION	'X' ±.04	'L' ±.04	POWER RATING
-25	3.2 OZ	1.181	.984	500-10K	0.5% / 0.2%	2.933	1.752	.3 WATTS
-50	4.2 OZ	2.165	1.968	500-10K	0.5% / 0.1%	3.917	2.736	.6 WATTS
-75	5.0 OZ	3.150	2.953	500-20K	0.5% / 0.1%	4.902	3.720	.75 WATTS
-100	5.6 OZ	4.134	3.937	1K-20K	0.5% / 0.1%	5.886	4.705	1.25 WATTS
-150	8.8 OZ	6.112	5.921	1K-20K	0.5% / 0.05%	7.854	6.673	1.5 WATTS