

SPECIFICATIONS

REV.	BY	DATE	PART NO.	LWR10
E	AT	08-09 01	ADDED SHAFT OPTIONS AND STYLES	

ELECTRICAL

RESISTANCE RANGE ----- SEE CHART
 RESISTANCE TOLERANCE ----- ±5%
 LINEARITY(INDEPENDENT) ----- SEE TABLE
 END RESISTANCE ----- 1 OHM OR 1%
 ELECTRICAL NOISE (ENR) ----- 100 OHM MAX.
 RESOLUTION ----- SEE CHART
 INSULATION RESISTANCE ----- 100 MEGOHMS MIN. AT 500 VDC
 DIELECTRIC STRENGTH ----- 500 VAC
 POWER RATING ----- SEE TABLE

MECHANICAL

STOP STRENGTH ----- 20 LBS.
 WEIGHT ----- SEE TABLE

ENVIRONMENTAL

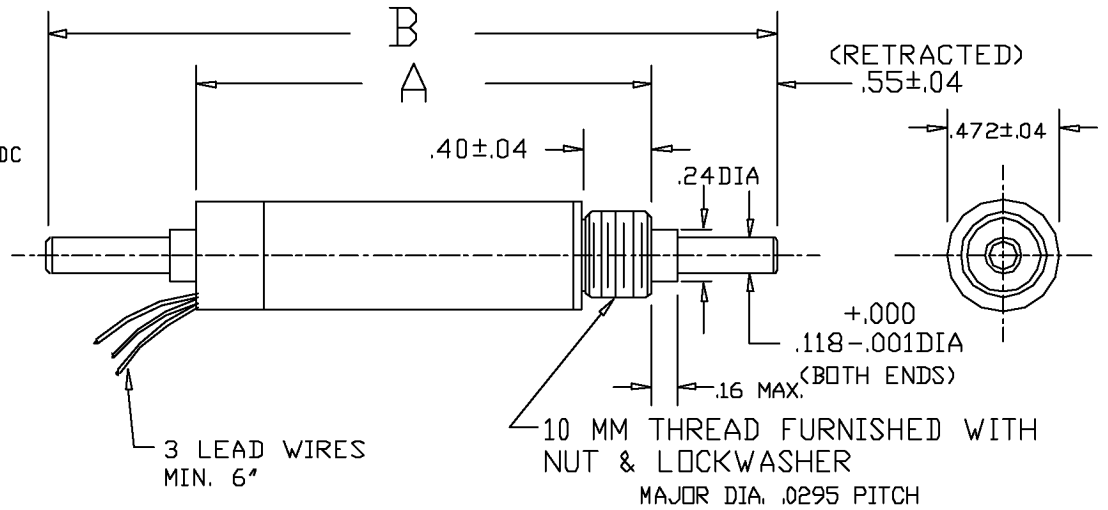
OPERATING TEMPERATURE ----- -30°C TO + 105°C
 TEMPERATURE COEFFICIENT ----- SEE CHART
 VIBRATION ----- 10HZ TO 2000HZ 10G
 SHOCK ----- 30G 11MS
 MOISTURE RESISTANCE ----- 40°C 95%RH 120 HRS.

MATERIALS

HOUSING ----- ANODIZED ALUMINUM
 SHAFT ----- STAINLESS STEEL
 BUSHING ----- ANODIZED ALUMINUM
 RESISTANCE ELEMENT ----- WIREWOUND

OPTIONAL FEATURES

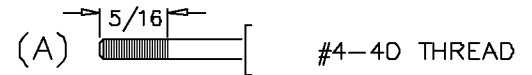
SHAFT MODIFICATIONS
 SPECIAL STROKES
 OIL FILLED



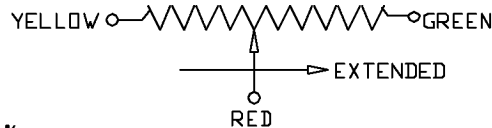
MODEL NO'S.

LWR10A -(STROKE)-(RES.)

SHAFT STYLES



SCHEMATIC



RESOLUTION CHART %

RESISTANCE OHMS	15	20	50	100	200	500	1K	2K	5K	10K	20K	40K
-30	.72	.59	.42	.46	.36	.27	.22	.17	.12	.10		
-50			.29	.24	.26	.19	.16	.12	.09	.07	.06	
-100			.19	.14	.12	.12	.10	.08	.06	.04	.04	.03
TEMPERATURE COEFFICIENT	80 PPM/°C				20 PPM/°C							

DIMENSION TABLE

DASH NO.	MECHANICAL STROKE ±.060	ELECTRICAL STROKE ±.040	LINEARITY INDEPENDENT	A ±.040	B ±.040	APPROX. WEIGHT	POWER RATING
-30	1.260	1.181	± 1.0%	3.346	5.708	1.1 OZ	0.5 W
-50	2.047	1.968	±0.7%	4.134	7.283	1.3 OZ	0.75 W
-100	4.015	3.937	±0.5%	6.102	11.220	1.8 OZ	1 W

SCALE	NONE
DATE	7-10-86
BY	BT
APPRV'D	BT

TITLE

LINEAR MOTION
 POTENTIOMETER

Precision Sales Inc.
 www.precisionsales.com
 F : 610-353-1674
 610-359-10025

PART NO.

LWR10

TOLERANCES

XX = +/- .010" FRACT. = +/- 1/64"
 XXX = +/- .005" ANGLES = +/- 1/2"

ALL SPECIFICATIONS SUBJECT TO CHANGE WITHOUT NOTICE.

CODE IDENT:
 19477