

NSO-0

MILL DUTY 16 AMP

ROTARY MASTER SWITCHES

Construction:

The **TYPE NSO-0** Rotary Master Switch features the same rugged design components and versatility as the NSO series of Joysticks. The NSO-0 provides directional, precise proportional speed and step control of AC/DC drives and Electro-Hydraulic Valves.

Application:

Applications include In-plant Process Control, Mining Vehicles, Conveyor and Lift Systems.

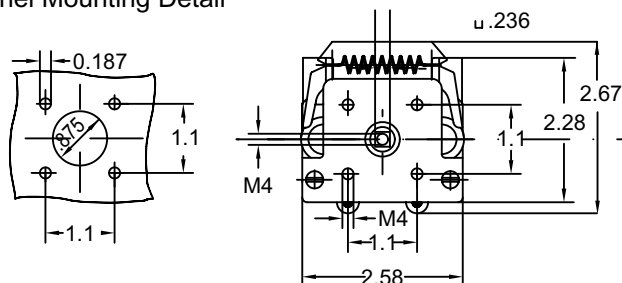
Features:

- **Rugged Construction:** Brass Bearings and Square Steel Operating Shaft.
- **Mechanical Life:** 20 million cycles with Friction Brake.
- **Design Flexibility:** Combination of custom programmable Contacts, Detents, Spring Return, Potentiometers, and Electronics.
- **Handles:** Pistol Grip, Teardrop and Chrome Steel Ball Lever.
- **Precise Step Control:** Up to 7-0-7 steps or 0-16 individually detented positions.
- **Contacts:** (10) SNAP in 16A 240VAC double pole field replaceable contacts. Gold dry circuit contacts available upon request.
- **Potentiometers:** 0.5 watt 5 million revolution conductive plastic potentiometers furnished standard.
- **Electronics:**
ESS-420: 4-20 mA 2 wire transmitter.
ESS0.10.10: 0-10 and $\pm 10V$ amplifiers.
OGR8G-M1: 8 Bit gray code Encoder.
PFC, PFC/CR and MPFC: Proportional Feathering Control electronic amplifiers for operation of Electro-Hydraulic Proportional Valves.
- **Enclosures:** Variety of standard and custom steel, cast aluminum and fiberglass enclosures available; NEMA 1, 3R, 4x, 12 and 13.

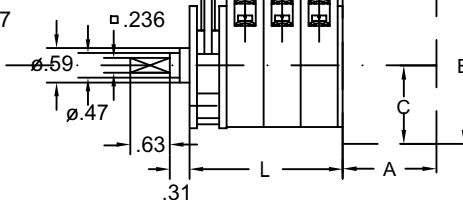


NSO-0 DIMENSIONS

Panel Mounting Detail



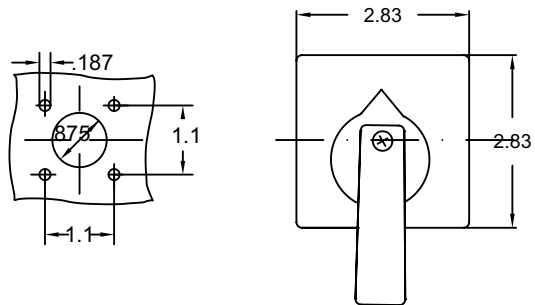
Panel Mounting Detail
without face plates



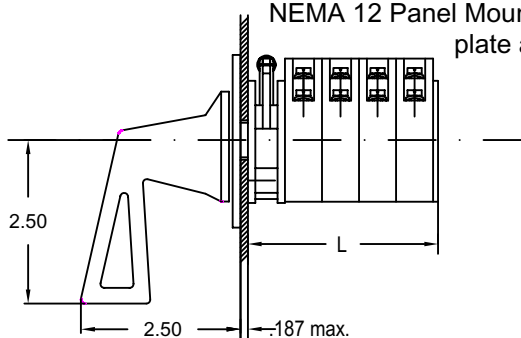
Output Device
Dimensions

Device	A	B	C
Potentiometer	1.29	2.92	1.75
ESS-420	1.29	2.92	1.75
OGR8G-M1	1.83	2.79	1.40
PFC	1.29	1.31	1.93

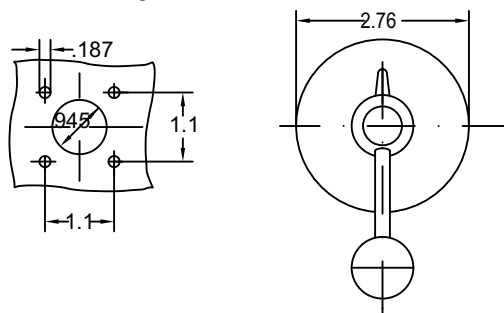
Panel Mounting Detail



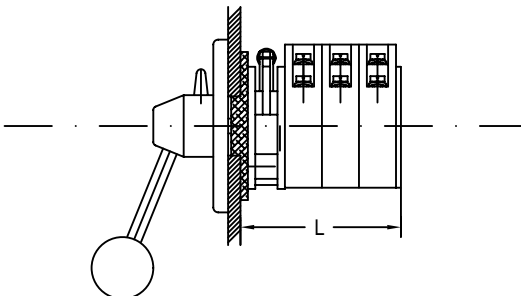
NEMA 1 Panel Mounting with escutcheon plate
NEMA 12 Panel Mounting with gasket front
plate and escutcheon plate.



Panel Mounting Detail



Nema 4 Mounting with round chrome escutcheon plate



Number of double pole contact blocks

"L" dim. w/detent	NSOO1_	NSOO2_	NSOO3_	NSOO4_	NSOO5_	NSOO6_	NSOO7_	NSOO8_	NSOO9_	NSOO10_
"L" dim. w/sp.ret.		NSOO1_R	NSOO2_R	NSOO3_R	NSOO4_R	NSOO5_R	NSOO6_R	NSOO7_R	NSOO8_R	NSOO9_R
Length "L"	1.26	1.97	2.52	3.15	3.74	4.33	4.92	5.51	6.10	6.69

TECHNICAL DATA

Mechanical:

Operating Temperature: -25° to +70°C

Detented Positions: Up to 7-0-7 Steps

Mechanical life: Maintained action: 20 million plus cycles.

Gasketing: Non-ferrous materials and NEMA 4 gasketing available for marine applications .

Electrical:

Contacts: 10 double pole snap in blocks and up to 20 circuits furnished standard. (consult factory if additional circuits are required)

Terminals: M3.5 x 0.5 machine screw with saddle clamp.

Wire size: No. 12 AWG maximum

Rating AC:

- AC continuous 16 amps @ 240 volts
- AC resistive 8 amps @ 240 volts
- AC inductive 6 amps @ 240 volts
- 1 H.P. 120 VAC 1phase
- 2 H.P. 240 VAC 1phase