

SPECIFICATIONS

ELECTRICAL

RESISTANCE----- 10K OHMS
 RESISTANCE TOLERANCE----- ±15%
 LINEARITY (INDEPENDENT)----- ±3.0%
 POWER RATING----- 0.2 WATT
 LEVER ELECTRICAL ANGLE----- 44°
 RESOLUTION----- ESSENTIALLY INFINITE
 OUTPUT SMOOTHNESS----- BELOW 0.2% AGAINST INPUT VOLTAGE
 CONTACT RESISTANCE VARIATION----- BELOW 5% C.R.V.
 INSULATION RESISTANCE----- 1000 MEGA OHMS @ 500VDC.
 DIELECTRIC STRENGTH----- 1 MINUTE AT 500 VAC
 MAX. WIPER OUTPUT----- 1 mA RECOMMENDED, 5 mA MAX.

MECHANICAL

RANGE OF OPERATING LEVER----- ±22°~±26° OMNI-DIRECTIONAL FROM CENTER.
 OPERATING FORCE FOR X AND Y DIR.----- APPROX. 7.2 TO 28.22 OZ-F
 OPERATING TEMPERATURE----- -20°C TO +60°C
 LIFE EXPECTANCY----- 5 MILLION OPERATIONS
 WEIGHT----- APPROX. 23 OZ.

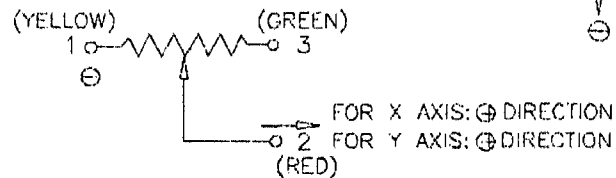
MATERIALS

HOUSING----- ALUMINUM
 ELEMENT----- CONDUCTIVE PLASTIC
 KNOB----- HARD PLASTIC

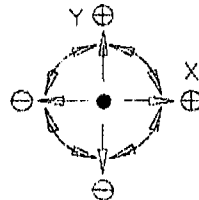
OPTIONS

1 & 3 DIMENSIONAL LEVER OPERATION.
 OTHER RESISTANCE AVAILABLE.
 LEVER SWITCHES.

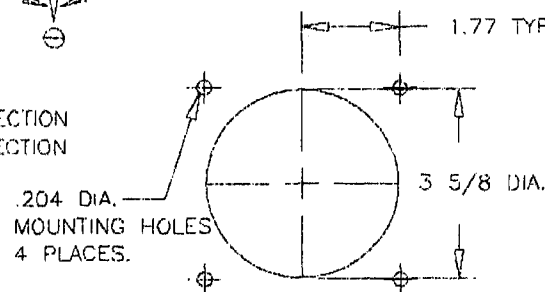
SCHEMATIC



"C" LEVER OPERATION



PANEL ARRANGEMENT



NOMENCLATURE

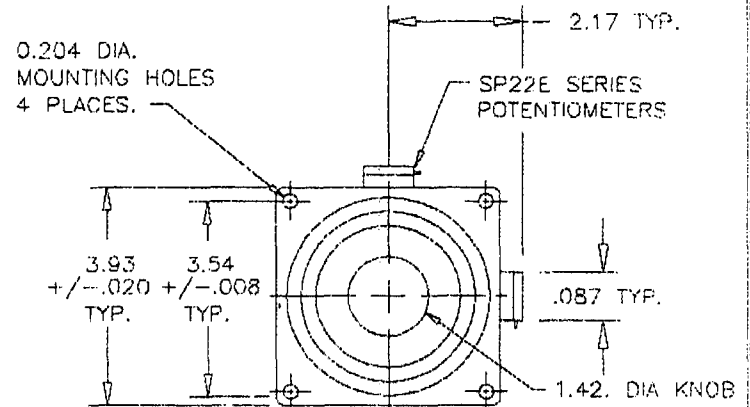
J90-C 0 2 0-S M B

- RUBBER BOOT. (LEAVE BLANK IF NOT DESIRED)
- MOUNTING PANEL
- SPRING RETURN. (LEAVE BLANK IF NOT DESIRED)
- No. OF SWITCHES. (6 POSSIBLE)
- No. OF POTENTIOMETERS. (3 POSSIBLE)
- HANDLE DESIGN
- LEVER DIRECTION
- JOYSTICK SERIES

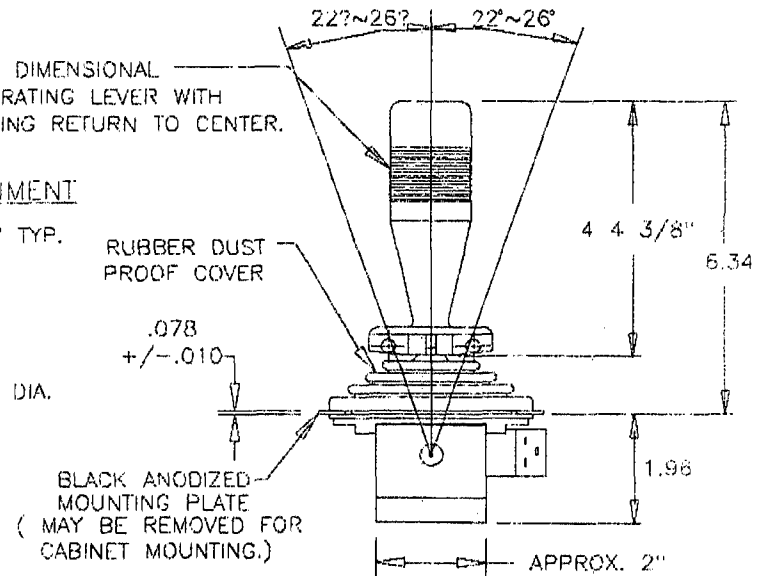
SCALE	DATE: 10/21/97
NONE	BY: DMS
	APPR'D: *
CODE IDENT:	19477

Precision Sales & Equipment Inc
 610-359-1002
 F: 610-353-1674

REV.	BY	DATE	P/N J90-CQ20-SMB
B	BT	6-2-99	REVISED



TWO DIMENSIONAL
 OPERATING LEVER WITH
 SPRING RETURN TO CENTER.



TITLE

JOYSTICK

PART NO.

J90-CQ20-SMB