

THIS DOCUMENT CONTAINS PROPRIETARY DATA OF POLARIS INDUSTRIAL ENTERPRISES, INC. NO DISCLOSURE, REPRODUCTION, OR USE OF ANY PART THERE OF MAY BE MADE EXCEPT BY WRITTEN PERMISSION.

REV.	BY	DATE	APPRVL.	P/N
A	AT	9-04-01		3.74 WAS 3.39 AND 2.17 WAS 1.81

J3L-IR12-SB

SPECIFICATIONS

ELECTRICAL

RESISTANCE ----- 10K OHMS
 RESISTANCE TOLERANCE ----- ±20%
 LINEARITY (INDEPENDENT) ----- ±5.0%
 POWER RATING ----- 0.1 WATT
 LEVER ELECTRICAL ANGLE ----- 40° MAX.
 RESOLUTION ----- ESSENTIALLY INFINITE
 OUTPUT SMOOTHNESS ----- BELOW 0.2% AGAINST INPUT VOLTAGE
 CONTACT RESISTANCE VARIATION ----- BELOW 6% C.R.V.
 INSULATION RESISTANCE ----- 1000 MEGA OHMS @ 500VDC.
 DIELECTRIC STRENGTH ----- 1 MINUTE AT 500 VAC
 MAX. WIPER OUTPUT ----- 10MICRO AMP RECOMMENDED, 1 mA MAX.
 SWITCH RATING ----- 0.1AMP AT 30 VDC

MECHANICAL

RANGE OF OPERATING LEVER ----- ±20° ~ ±25° FROM CENTER
 OPERATING FORCE ----- APPROX. 19.4 OZ-F.
 OPERATING TEMPERATURE ----- -20°C TO +60°C
 LIFE EXPECTANCY ----- 2 MILLION OPERATIONS
 WEIGHT ----- APPROX. 21 OZ.
 SHOCK ----- 1.0 OZ.

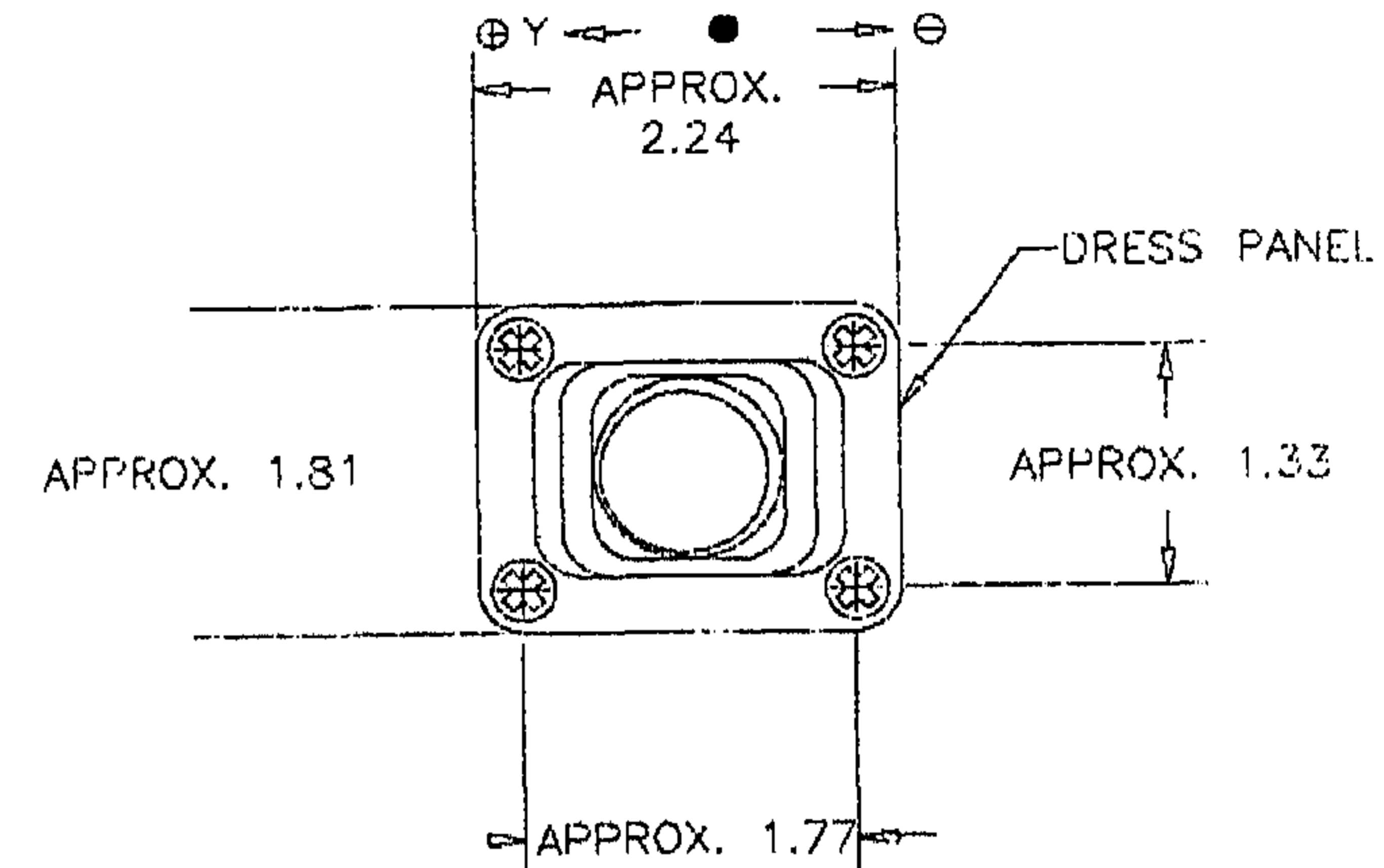
MATERIALS

HOUSING ----- HIGH TEMP. THERMO PLASTIC
 ELEMENT ----- CONDUCTIVE PLASTIC

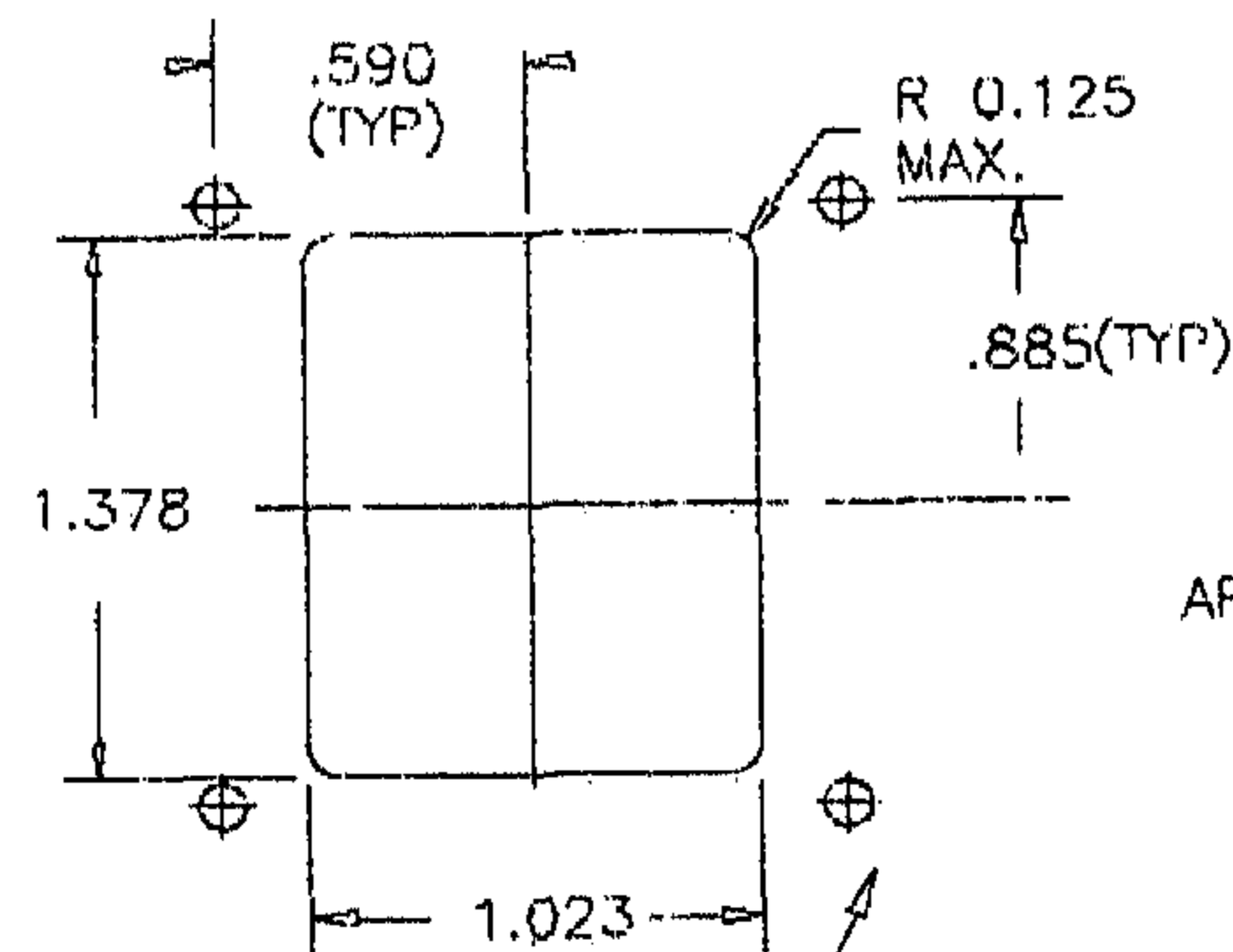
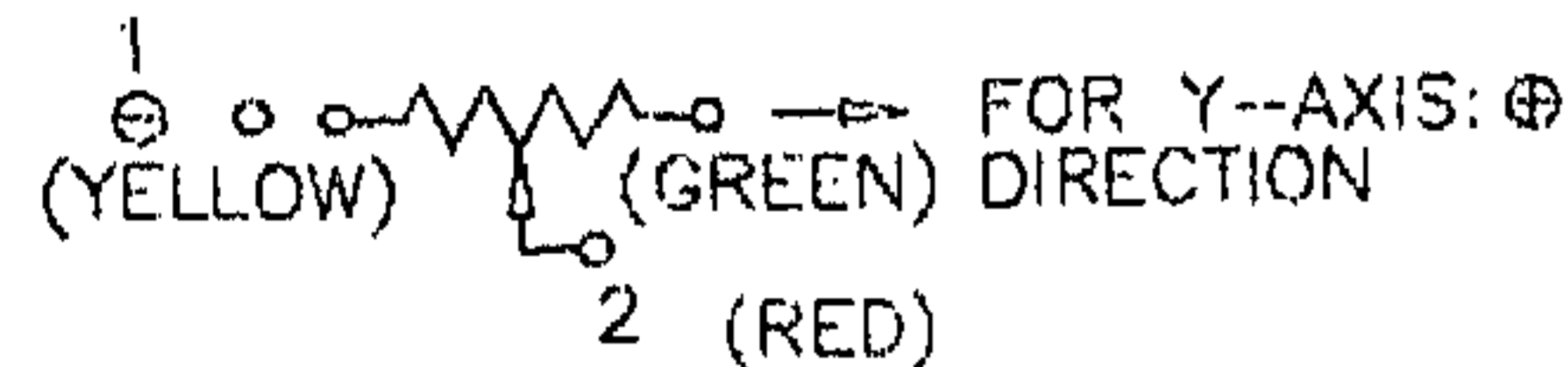
SWITCHING EVENTS

'Y' FORWARD SWITCH 'ON' (OFF WHEN BACK OR CENTER)
 'Y' BACK SWITCH 'ON' (OFF WHEN FORWARD OR CENTER)

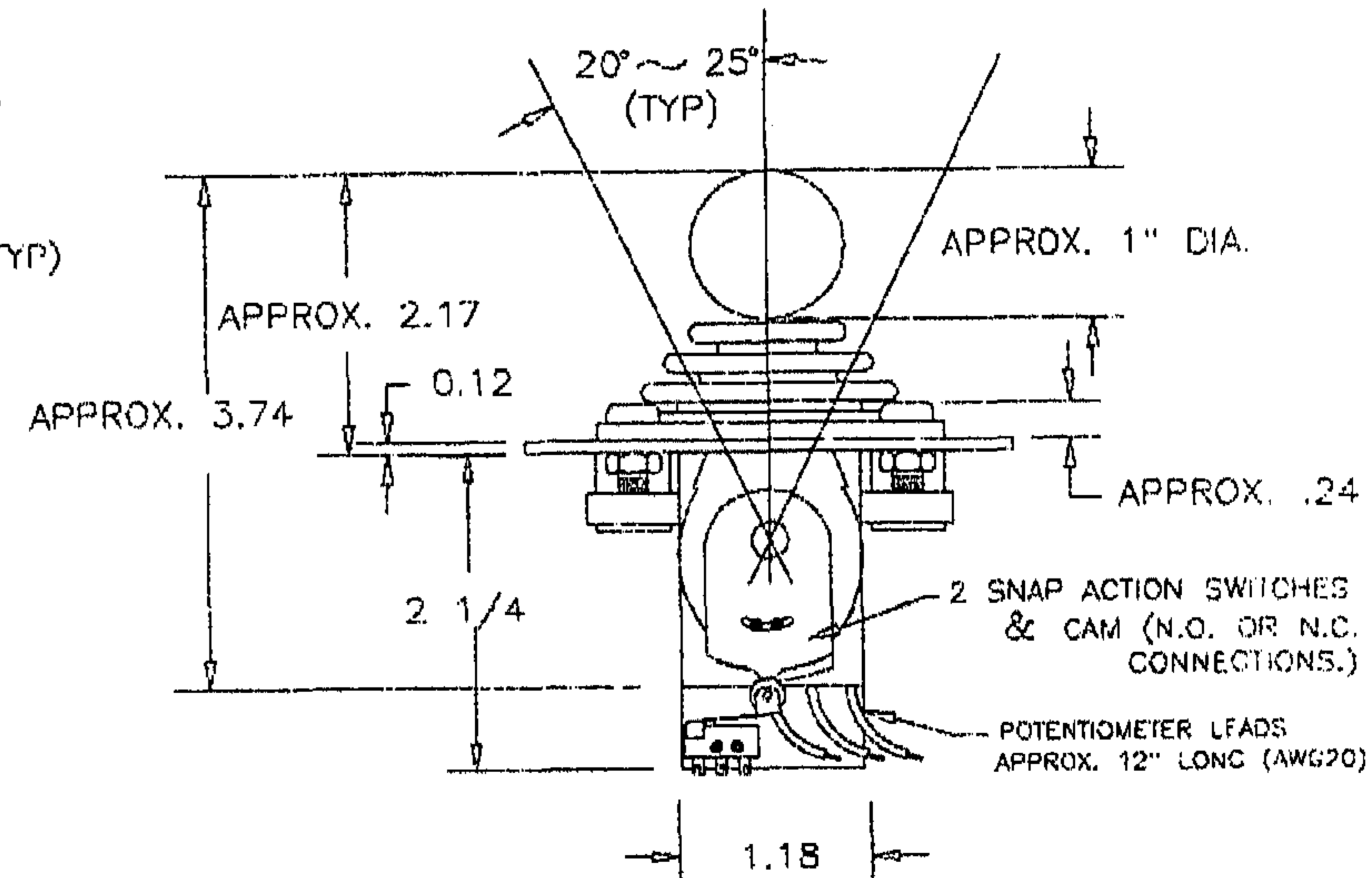
"I" LEVER OPERATION



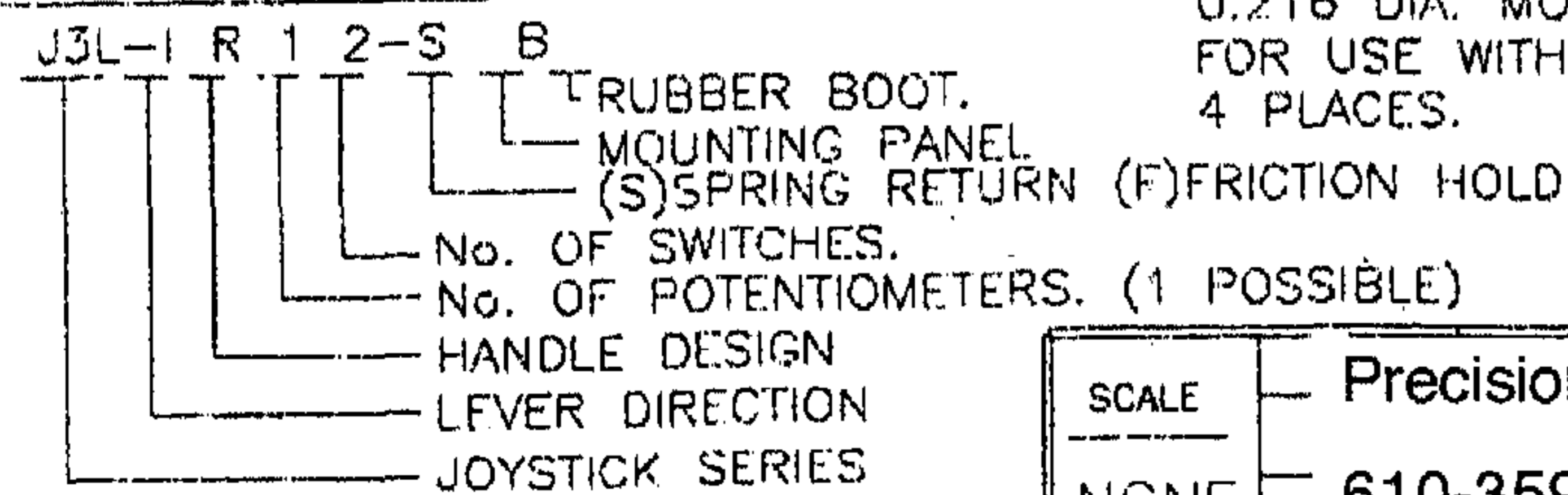
SCHEMATIC



0.216 DIA. MOUNTING HOLES FOR USE WITH MOUNTING PANEL 4 PLACES.



NOMENCLATURE



SCALE --- Precision Sales & Equipment Inc.
 NONE AI 610-359-1002
 CODE ID FAX 610-353-1674

TITLE
 JOYSTICK

PART NO.
 J3L-IR12-SB