

SPECIFICATIONS

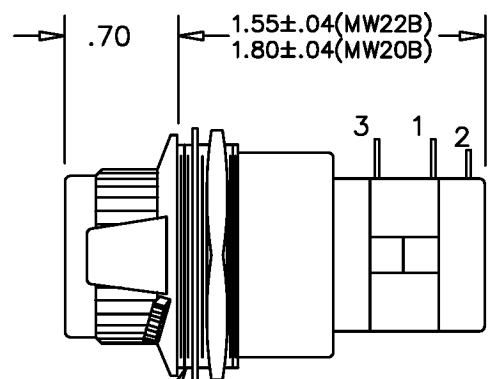
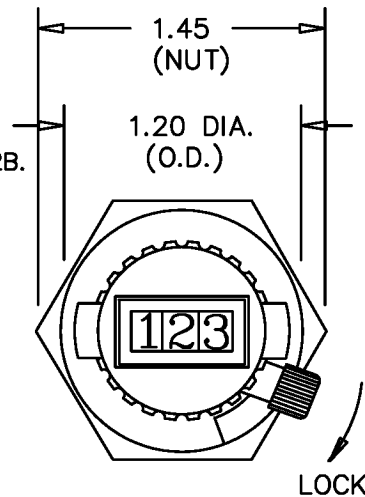
RESISTANCE RANGE -----	100 TO 100K OHMS
RESISTANCE TOLERANCE -----	±5%
ACCURACY -----	±0.35% OF VOLTAGE RATIO
REPEATABILITY -----	±0.02% OR RESOLUTION OF POT
RESOLUTION -----	SEE POT SPECIFICATIONS
POWER RATING -----	2 WATTS
OPERATING TEMPERATURE -----	-30°C TO +85°C
TEMPERATURE COEFFICIENT -----	±20 PPM/°C
TURNS -----	10 (000 TO 999 COUNTS)
TERMINALS -----	GOLD PLATED LUGS
LOCK -----	OVER THE CENTER
HOUSING MATERIAL -----	HIGH TEMP. BLACK PLASTIC

Precision Sales Inc  
 www.precisionsales.com  
 eparts@precisionsales.com  
 610-359-1002

NOTES:

1. USE ETI SYSTEMS POTENTIOMETERS MODEL MW20B OR MW22B.
2. POTENTIOMETERS MAY BE 3,5,10 TURNS.  
 ALSO MULTIPLE GANGS.
3. DIAL AVAILABLE WITHOUT POT, ASK FOR DC27FL.
4. THREADS WILL ACCEPT PANEL THICKNESS OF 3/16 MAX.
5. SEE POTENTIOMETER CATALOG FOR ADDITIONAL SPECIFICATIONS.

\*MODEL WITH MW20B IS DC20.



THREAD MAJOR DIA. = 1.10"  
 REQUIRED MOUNTING HOLE  
 IN PANEL = 1 1/8" DIA.

