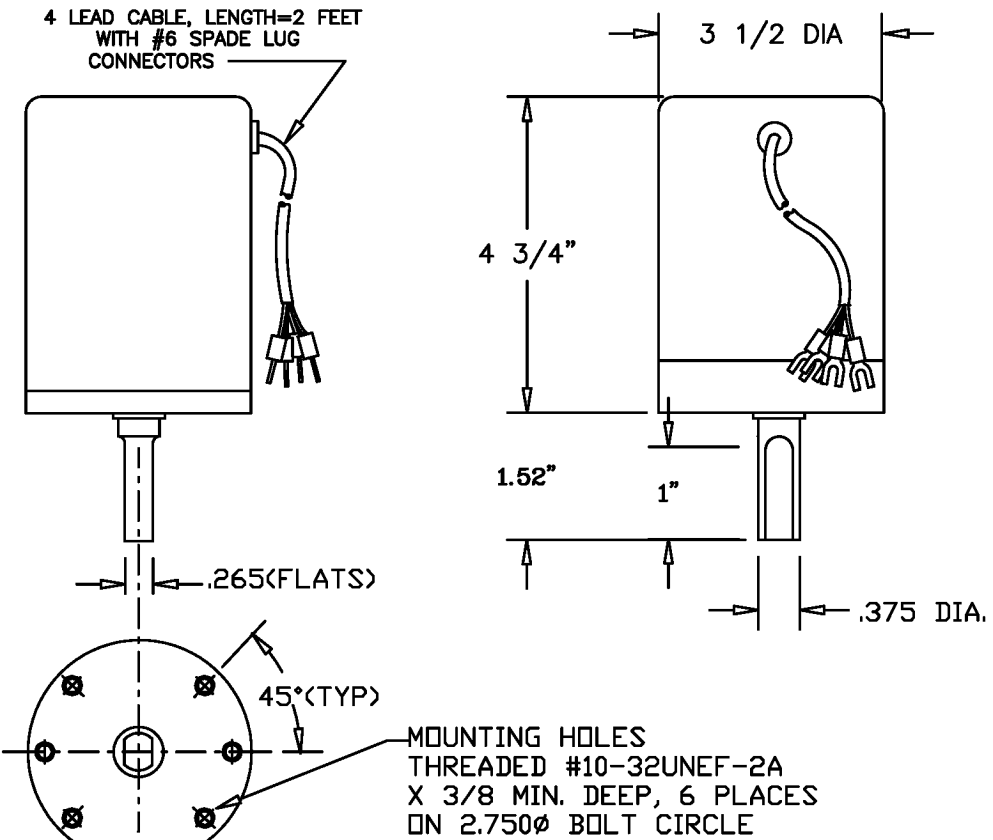


MANUFACTURED IN CALIF. U.S.A. UNDER THE FOLLOWING PATENTS:
 4800308, 5137257, 5461290, 5471123,
 5488273, 5543694, 5712548.
 U.S. AND FOREIGN PATENTS PENDING.

THIS DOCUMENT CONTAINS PROPRIETARY DATA OF POLARIS INDUSTRIAL ENTERPRISES, INC. NO DISCLOSURE, REPRODUCTION, OR USE OF ANY PART THERE OF MAY BE MADE EXCEPT BY WRITTEN PERMISSION.

REV.	BY	DATE	APPRVD.	P/N
F	GC	12/20/00	BT	VA21

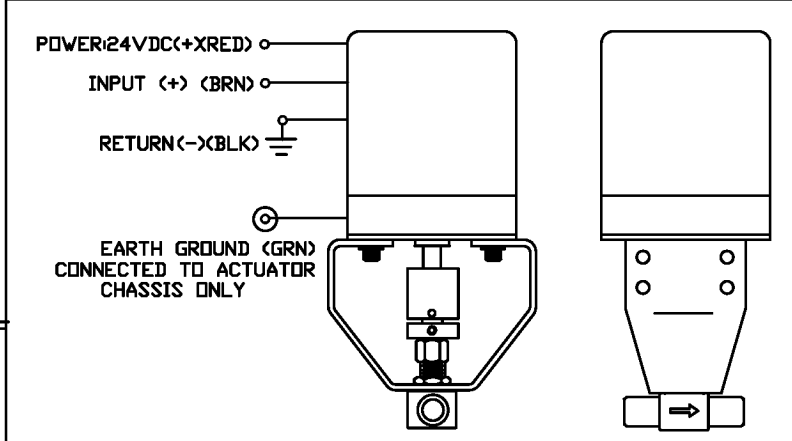
ADDED (BOLT CIR. DIA.)



- SPECIFICATIONS:**
- ACTUATOR**
- INPUT CURRENT ----- 4-20mA(M) OR 0-10VDC(V)
 - INPUT IMPEDANCE ----- 200 OHMS(M) OR 18,000 OHMS(V)
 - RPM ----- 1.5-3-5-10-20-40
 - POWER REQUIRED ----- 24 VDC/50 WATTS MIN
 - DYNAMIC BRAKING ----- INSTALLED
 - LIMIT SWITCHES ----- INSTALLED
 - MICRO-PROCESSOR ----- INSTALLED
 - TORQUE LIMITER ----- FACTORY SET FOR SIZE OF VALVE ORDERED. OR APPROX. 21 IN.LBS MAX.
 - SEATING TORQUE ----- FACTORY SET TO PREVENT VALVE SEAT DAMAGE OR SET TO CUSTOMERS SPECIFICATION. OCCURS IN THE LAST 30° ROTATION. UNLESS VALVE CHOSEN DOES NOT REQUIRE CLOSURE.
- ENVIRONMENTAL:**
- OPERATING TEMPERATURE ----- -30°C TO +85°C
 - MOISTURE ----- SEALED AND SPLASH PROOF
 - INSULATION RESISTANCE ----- 100 MEGOHMS @ 500 VDC
 - DIELECTRIC STRENGTH ----- 500 VAC
 - WEIGHT ----- 2.5 LBS. APPROX.
- MATERIAL:**
- COVER ----- SATIN ANODIZED ALUMINUM
 - BASE ----- ANODIZED ALUMINUM
 - OUTPUT SHAFT ----- STAINLESS STEEL
 - CABLE ----- 22 GAUGE, VINYL SLEEVE
 - SCREWS ----- STAINLESS STEEL

VALVE KIT:
 [ORDERED SEPERATELY, MOUNTED TO ACTUATOR AT ETI SYSTEMS]
 INCLUDES VALVE, BRACKET, COUPLER AND HARDWARE, IF NOT MOUNTED.

ACTUATOR MOUNTED TO VALVE KIT



TO ORDER

VA21 [] - [] - [] - []

- [] RPM (SEE SPECIFICATIONS)
- [] VALVE SEATING TORQUE (IN.LBS)
- [] NO. OF TURNS (SEE VALVE KIT)
- [] INPUT: M(4-20MA) OR V(0-10VDC)
- [] MR OR VR (REVERSED ROTATION FOR REGULATORS)

EXAMPLE: VA21M-8-15-5

FOR ISOLATED FEEDBACK POSITION OPTION (FEEDBACK DIAGRAM)

ORDER: VA21MF-8-15-5 (EXAMPLE)

CLOSE ← ORG
 BLU ← WHT

TOLERANCES
 XX = +/- .010" FRACT. = +/- 1/64"
 XXX = +/- .005" ANGLES = +/- 1/2"

ALL SPECIFICATIONS SUBJECT TO CHANGE WITHOUT NOTICE.

USED ON

SCALE	DATE: 01-10-99	www.precisionsales.com
	BY	610-359-1002
	APPRVD BT	F: 610-353-1674
CODE IDENT: 19477		

TITLE
 VALVE
 ACTUATOR

PART NO.
 VA21