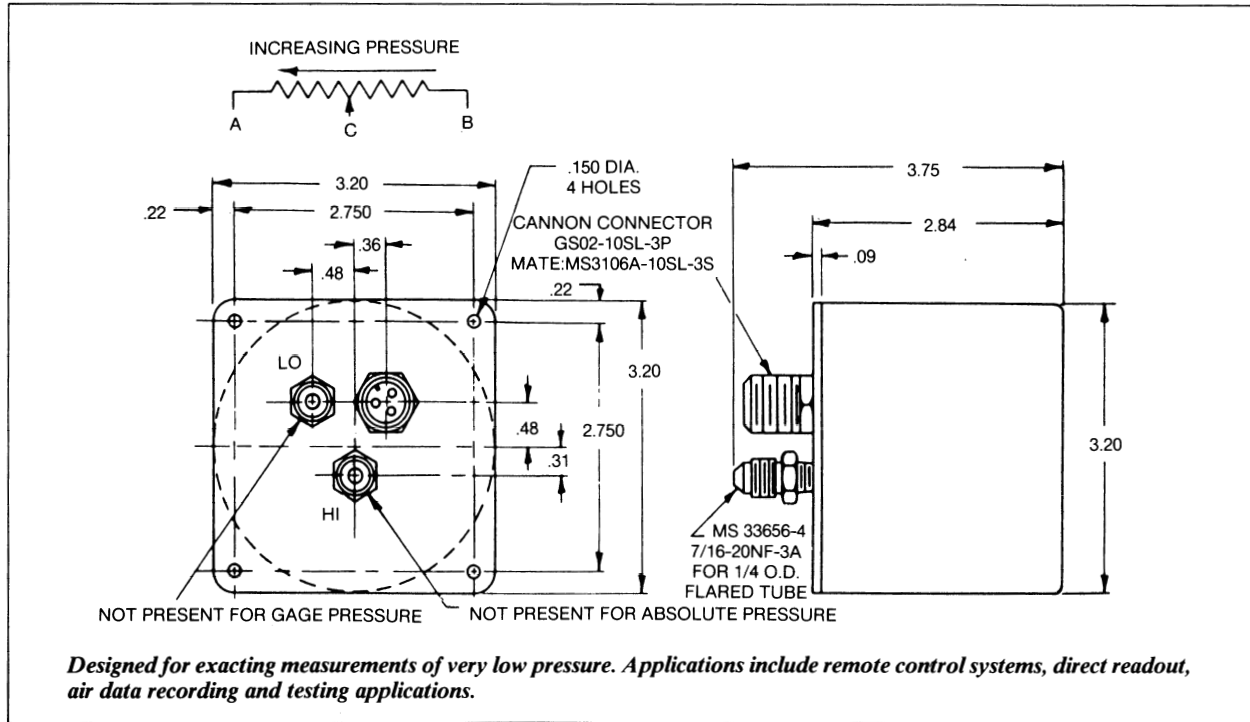


POTENTIOMETER TYPE, INFINITE RESOLUTION PRECISION, VERY LOW PRESSURE TRANSDUCER MODEL 6000



ELECTRICAL SPECIFICATIONS:

Pressure Range	Any range to suit from 0-0.1 to 0-2 PSI Gage or Differential 0-2.5 to 0-5 PSI Absolute
Terminal Resistance	50Ω to 10KΩ ± 10%
Independent Linearity	To ±0.3% F.S.
Repeatability	±0.05% F.S.
Power Rating	0.10 to 0.20 Watts
Life	To 10 million cycles, depending upon application
Temperature Sensitivity	±0.02%/°C
Response Time	50 milliseconds to respond to 63% of step pressure input

MECHANICAL SPECIFICATIONS:

Overpressure	20%	} Higher Available
Case Pressure	100 PSIA	
Weight	12 ounces	

ENVIRONMENTAL: (Typical)

Temperature Range	-55°C to +85°C
Acceleration Error	±0.1%/G to 20G
Pressure Media Absolute and Differential:	Air or oil, non-corrosive.
Gage:	Any media compatible with Ni-Span-C

TYPICAL STATIC AND DYNAMIC ERROR BANDS (Based on ±0.3% Linearity)

Pressure Range (PSI)	0-0.1 to 0-0.2	0-0.3 to 0-0.5	0-0.6 to 0-1	0-1.2 to 0-2	0-2.5 to 0-5 Absolute
Static Error Band	±2.5%	±1.5%	±1.2%	±0.9%	±1.0%
Dynamic Error Band	±0.8%	±0.7%	±0.6%	±0.5%	±0.5%