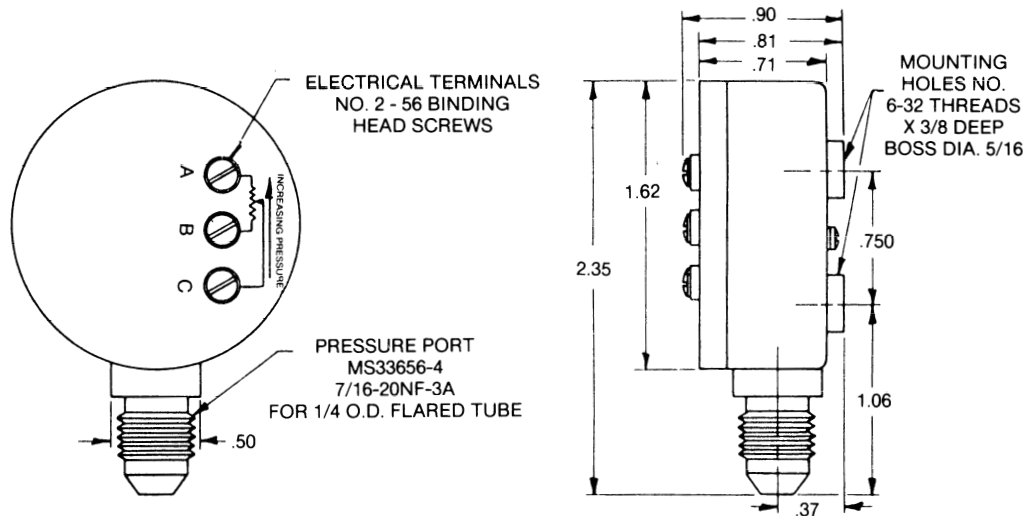


POTENTIOMETER TYPE, INFINITE RESOLUTION PRESSURE TRANSDUCER MODEL 3000



Designed as low cost unit for use in industrial and military markets. Present applications include oil process control, flow computation, pressure monitoring for Hi-rel ground support equipment.

ELECTRICAL SPECIFICATIONS:

Pressure Range	Any range to suit from 0-100 to 0-5000 PSI Gage, Absolute
Terminal Resistance	50 Ω to 10K Ω \pm 10%
Independent Linearity	To \pm 0.5% F.S.
Repeatability	\pm 0.1% F.S.
Power Rating	0.10 to 0.20 Watts
Life	To 10 million cycles, depending upon application
Temperature Sensitivity	\pm 0.02%/ $^{\circ}$ C
Response Time	20 milliseconds to respond to 63% of step pressure input

MECHANICAL SPECIFICATIONS:

Overpressure	20%	} Higher Available
Weight	3 ounces	

ENVIRONMENTAL: (Typical)

Temperature Range	-55 $^{\circ}$ C to +85 $^{\circ}$ C
Acceleration Error	\pm 0.2%/G to 20G
Pressure Media	Any media compatible with Ni-Span-C, Braze & Stainless Steel

TYPICAL STATIC AND DYNAMIC ERROR BANDS (Based on +0.5% Linearity)

Pressure Range (PSI)	0-100 to 0-500	0-600 to 0-2000	0-25 00 to 0-5000	FOR RANGES ABOVE 5000 PSI, SEE MODEL 6200
Static Error Band	+0.8%	+0.9%	+1.0%	
Dynamic Error Band	+0.7%	+0.8%	+0.9%	