

SPECIFICATIONS

ELECTRICAL

- RESISTANCE RANGE ----- 1K TO 100K
- RESISTANCE TOLERANCE ----- ± 10%
- LINEARITY(INDEPENDENT) ----- ± 1%
- ELECTRICAL ANGLE ----- 280°±5°
- END RESISTANCE ----- .2% OR 20HMS (WHICHEVER IS GREATER)
- CONTACT RESIS.VARIATION ----- BELOW 2%
- RESOLUTION ----- ESSENTIALLY INFINITE
- INSULATION RESISTANCE ----- 100 MEGOHMS MIN. AT 1000 VDC.
- DIELECTRIC STRENGTH ----- 1000 VAC MIN
- POWER RATING ----- 1.0 WATTS
- OUTPUT SMOOTHNESS ----- BELOW 0.1% OF INPUT VOLTAGE

MECHANICAL

- NO. OF TURNS ----- 1
- MECHANICAL ANGLE ----- CONTINUOUS
- ROTATIONAL LIFE ----- 10,000,000
- STOP STRENGTH ----- N/A
- STARTING TORQUE ----- 4.2 OZ. IN.
- WEIGHT ----- 1.5 OZ.
- SHAFT RADIAL PLAY ----- .005 IN. T.I.R. MAX
- SHAFT END PLAY ----- .005 IN. T.I.R. MAX

ENVIRONMENTAL

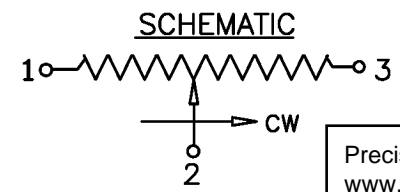
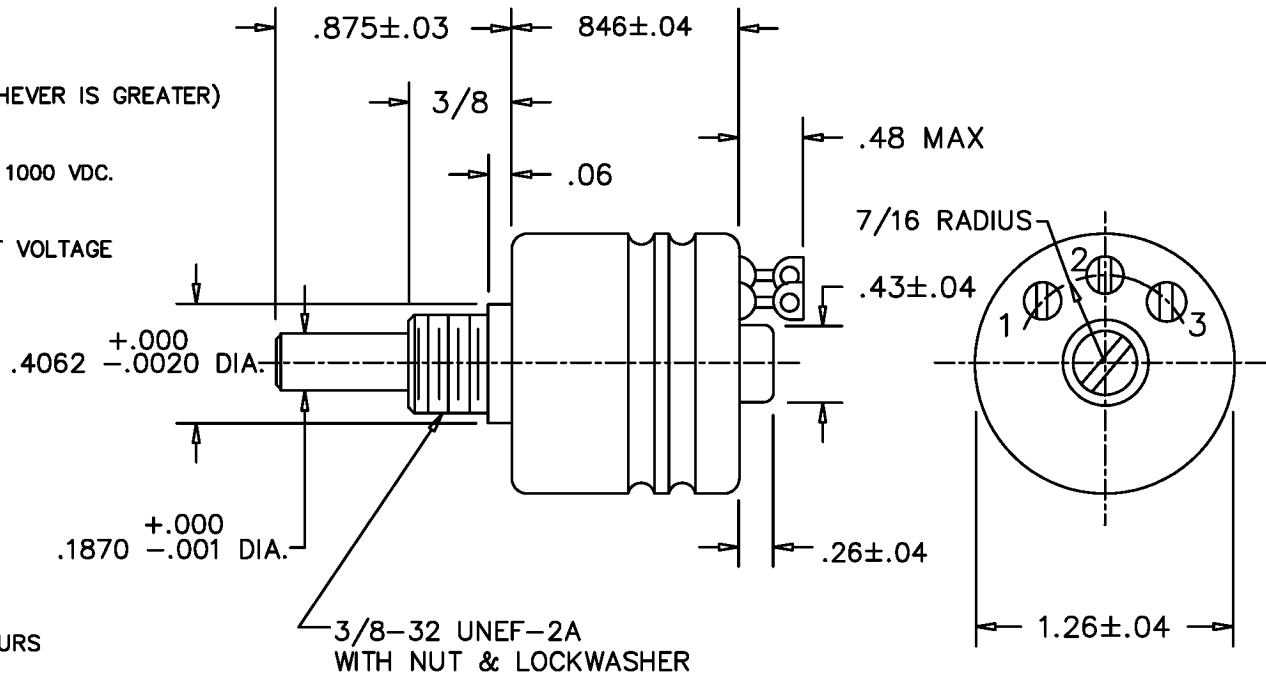
- OPERATING TEMPERATURE ----- -30°C TO +60°C
- VIBRATION ----- 10HZ TO 2000HZ 10G
- SHOCK ----- 30G 11MS
- MOISTURE RESISTANCE ----- 40°C 95%RH 2000 HOURS
- SUBMERSIBLE ----- TO 15 PSI

MATERIALS

- HOUSING ----- METAL
- SHAFT ----- STAINLESS STEEL
- BUSHING ----- PLATED BRASS
- TERMINALS ----- GLASS HEADERS
- RESISTANCE ELEMENT ----- CONDUCTIVE PLASTIC

OPTIONAL FEATURES

- SHAFT MODIFICATIONS
- REAR SHAFT
- SPECIAL ANGLES
- CENTER TAP
- 2 GANGS



Precision Sales Inc.
www.precisionsales.com
eparts@precisionsales.com
 610-359-1002