

SPECIFICATIONS

SO30B

Precision Sales Inc
www.precisionsales.com
eparts@precisionsales.com
610-359-1002

ELECTRICAL

- RESISTANCE RANGE ----- 50 OHMS TO 20K OHMS
- RESISTANCE TOLERANCE ----- ± 10%
- LINEARITY(INDEPENDENT) ----- ± 1%
- ELECTRICAL ANGLE ----- 345°±5'
- END RESISTANCE ----- .2% OR 2OHMS (WHICHEVER IS GREATER)
- ELECTRICAL NOISE(ENR) ----- 100 OHMS
- RESOLUTION ----- SEE CHART
- INSULATION RESISTANCE ----- 100 MEGOHMS MIN. AT 1000 VDC.
- DIELECTRIC STRENGTH ----- 1000 VAC MIN
- POWER RATING ----- 0.75WATTS

MECHANICAL

- NO OF TURNS ----- 1
- MECHANICAL ANGLE ----- CONTINUOUS
- ROTATIONAL LIFE ----- 200,000
- STOP STRENGTH ----- N/A
- STARTING TORQUE ----- 4.2 OZ. IN.
- WEIGHT ----- 1.5 OZ.
- SHAFT RADIAL PLAY ----- .005 IN. T.I.R. MAX
- SHAFT END PLAY ----- .005 IN. T.I.R. MAX

ENVIRONMENTAL

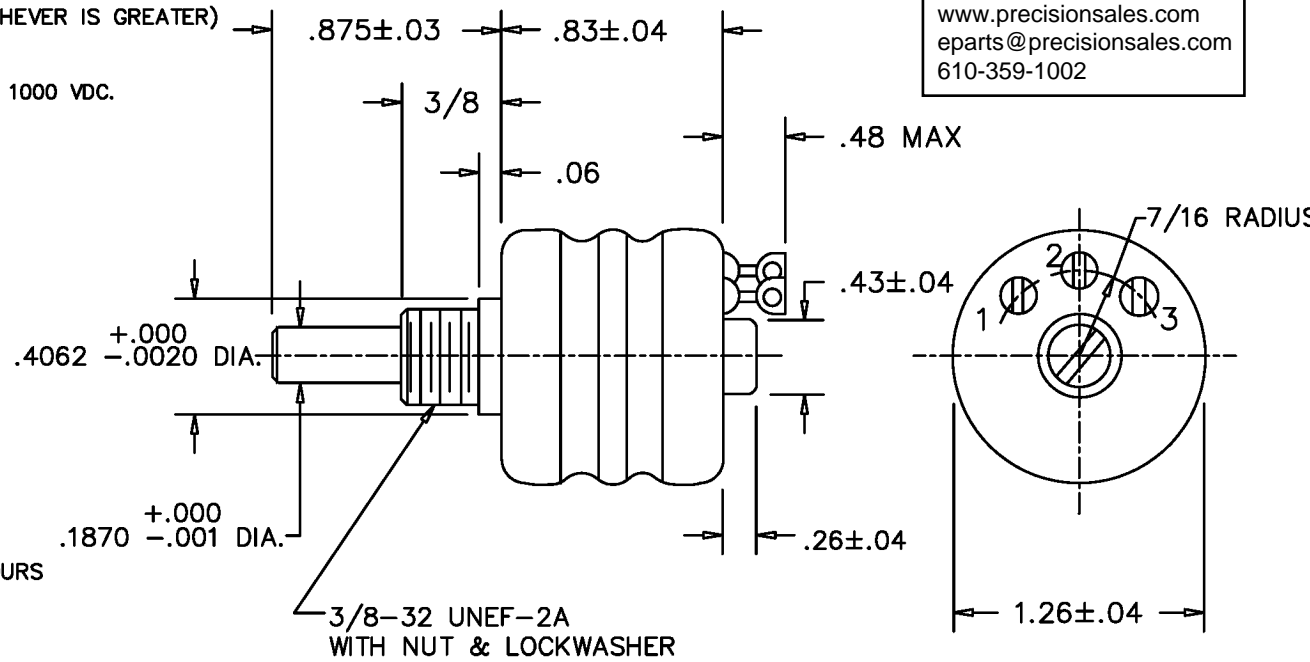
- OPERATING TEMPERATURE ---- -20°C TO +60°C
- TEMPERATURE COEFFICIENT -- SEE CHART
- VIBRATION ----- 10HZ TO 2000HZ 10G
- SHOCK ----- 30G 11MS
- MOISTURE RESISTANCE ----- 40°C 95%RH 2000 HOURS
- SUBMERSIBLE ----- TO 15 PSI

MATERIALS

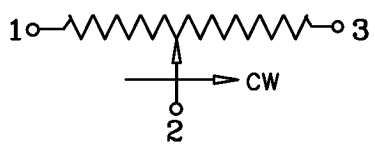
- HOUSING ----- METAL
- SHAFT ----- STAINLESS STEEL
- BUSHING ----- PLATED BRASS
- TERMINALS ----- GLASS HEADERS
- RESISTANCE ELEMENT ----- WIREWOUND

OPTIONAL FEATURES

- SHAFT MODIFICATIONS
- REAR SHAFT
- SPECIAL ANGLES
- CENTER TAP
- MULTI-GANGS



SCHEMATIC



RESOLUTION CHART

RESISTANCE	50	100	200	500	1K	2K	5K	10K	20K
RESOLUTION	.38	.33	.28	.25	.20	.14	.10	.09	.06
TEMPERATURE COEFFICIENT	80	80	80	20	20	20	20	20	20