

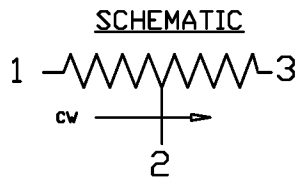
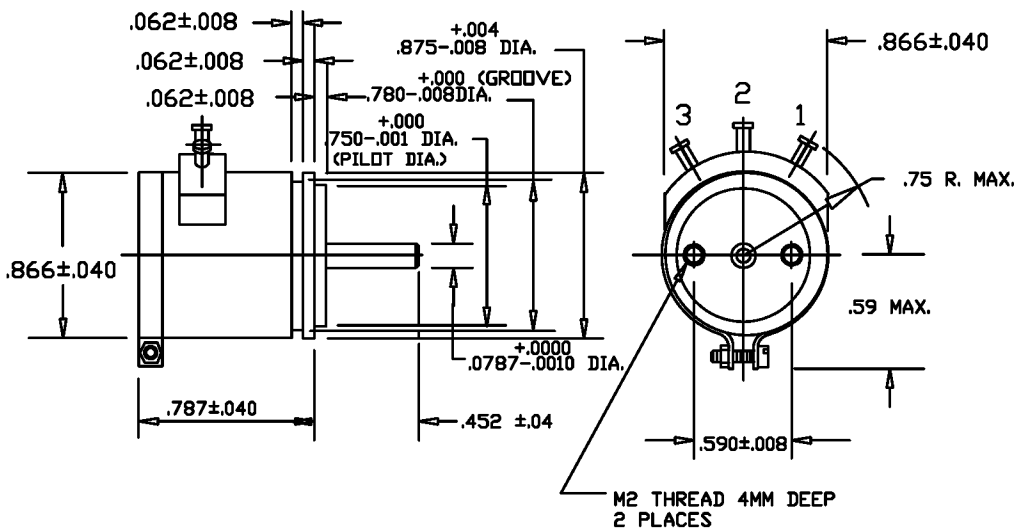
SLNB22

ELECTRICAL

RESISTANCE RANGE -----	100 OHMS TO 20K OHMS
RESISTANCE TOLERANCE -----	±3%
LINEARITY INDEPENDENT -----	±0.5%
END RESISTANCE -----	1 OHM OR 0.1% WHICHEVER IS GREATER
ELECTRICAL ANGLE -----	355°±5°
ELECTRICAL NOISE -----	100 OHMS MAX.
POWER RATING -----	0.3 WATTS
INPUT VOLTAGE -----	80 VOLTS MAX.
INSULATION RESISTANCE -----	100 MEGOHMS AT 1000V
DIELECTRIC STRENGTH -----	1000 VAC MIN.

MECHANICAL

NUMBER OF TURNS -----	1
MECHANICAL ANGLE -----	CONTINUOUS
ROTATIONAL TORQUE -----	0.021 OZ.IN. MAX.
SERVO MOUNT -----	BALL BEARING
SHAFT RUNOUT -----	0.003 IN. MAX.
PILOT DIA. RUNOUT -----	0.003 IN. MAX.
LATERAL RUNOUT -----	0.003 IN. MAX.
SHAFT END PLAY -----	0.005 IN. MAX.
SHAFT RADIAL PLAY -----	0.002 IN. MAX.
LIFE(SHAFT REVOLUTIONS) -----	100,000
WEIGHT APPROX. -----	0.6 OZ.
OPERATING TEMPERATURE -----	-30°C TO +85°C



OPTIONAL FEATURES AVAILABLE

- MACHINED SHAFT
- CENTER TAP
- ROTATIONAL STOPS
- RESISTANCE TOLERANCE TO 1%
- LINEARITY TOLERANCES TO 0.2%

STANDARD RESISTANCE AND RESOLUTION CHART											
RESISTANCE OHMS	10	20	50	100	200	500	1K	2K	5K	10K	20K
RESOLUTION %	.333	.270	.333	.270	.213	.222	.175	.135	.100	.079	.060
TEMPERATURE COEFFICIENT PPM/°C	700	700	80	80	80	20	20	20	20	20	20

Precision Sales Inc
www.precisionsales.com
eparts@precisionsales.com
 610-359-1002