

SPECIFICATIONS

ELECTRICAL

- RESISTANCE RANGE _____ 500 TO 20K OHMS
- RESISTANCE TOLERANCE _____ ±5%
- CONFORMITY (PEAK TO PEAK) _____ ±1%
- ELECTRICAL ANGLE _____ 360°
- END RESISTANCE _____ 0.2% MAX.
- RESOLUTION _____ SEE CHART
- INSULATION RESISTANCE _____ 1000MEG OHMS @1000 VDC
- DIELECTRIC STRENGTH _____ 1000 VAC
- POWER RATING _____ 2 WATTS
- ELECTRICAL NOISE _____ 100 OHMS MAX

MECHANICAL

- NO OF TURNS _____ 1
- MECHANICAL ROTATION _____ CONTINUOUS
- ROTATIONAL LIFE _____ 1,000,000 TURNS
- STOP STRENGTH _____ N/A
- TORQUE _____ 1.2 OZ. IN.
- WEIGHT _____ 6 OZ.

ENVIRONMENTAL

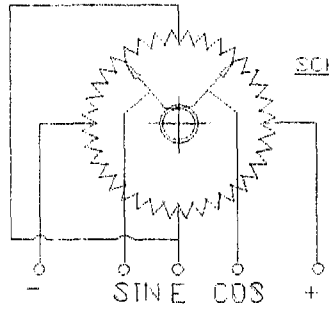
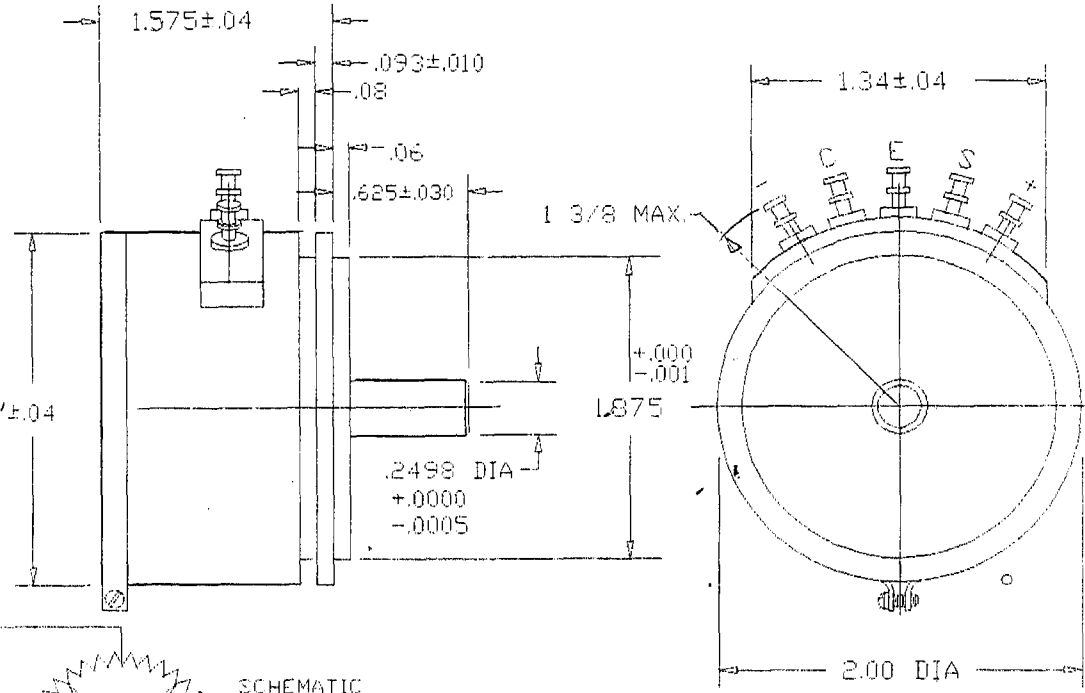
- OPERATING TEMPERATURE _____ -55°C TO +125°C
- TEMPERATURE COEFFICIENT _____ SEE CHART
- VIBRATION _____ 10HZ TO 2000HZ 15G
- SHOCK _____ 50G
- MOISTURE RESISTANCE _____ 40°C 95%RH 120 HOURS

MATERIALS

- HOUSING _____ ANODIZED ALUMINUM
- SHAFT _____ STAINLESS STEEL
- TERMINALS _____ GOLD PLATED BRASS
- RESISTANCE ELEMENT _____ WIREWOUND

OPTIONAL FEATURES

- SHAFT MODIFICATIONS
- REAR SHAFT
- O-RING SHAFT SEAL
- BUSHING MOUNT
- MULTIPLE SECTIONS



SCHEMATIC

RESISTANCE/RESOLUTION CHART

RESISTANCE	500	1K	2K	5K	10K	20K
RESOLUTION	10	.08	.06	.08	.07	.06
TEMPERATURE COEFFICIENT PPM/°C	80	90	80	20	20	20

Precision Sales Inc
www.precisionsales.com
eparts@precisionsales.com
 610-359-1002