

**SPECIFICATIONS**

**ELECTRICAL**

RESISTANCE RANGE	1K TO 100K OHMS
RESISTANCE TOLERANCE	±15%
CONFORMITY (PEAK TO PEAK)	±0.5%
ELECTRICAL ANGLE	360°
END RESISTANCE	0.2% MAX.
RESOLUTION	ESSENTIALLY INFINITE
INSULATION RESISTANCE	1000MEGOHMS @1000 VDC
DIELECTRIC STRENGTH	1 MINUTE AT 1000 VAC
POWER RATING	1.25 WATTS
CONTACT RESISTANCE VARIATION	BELOW 8% C.R.V.
OUTPUT SMOOTHNESS	BELOW 0.1% AGAINST INPUT VOLTAGE

**MECHANICAL**

NO OF TURNS	1
MECHANICAL ROTATION	CONTINUOUS
ROTATIONAL LIFE	50,000,000 TURNS
STOP STRENGTH	N/A
TORQUE	1.2 OZ. IN.
WEIGHT	4.2 OZ.

**ENVIRONMENTAL**

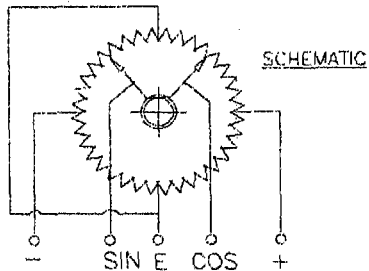
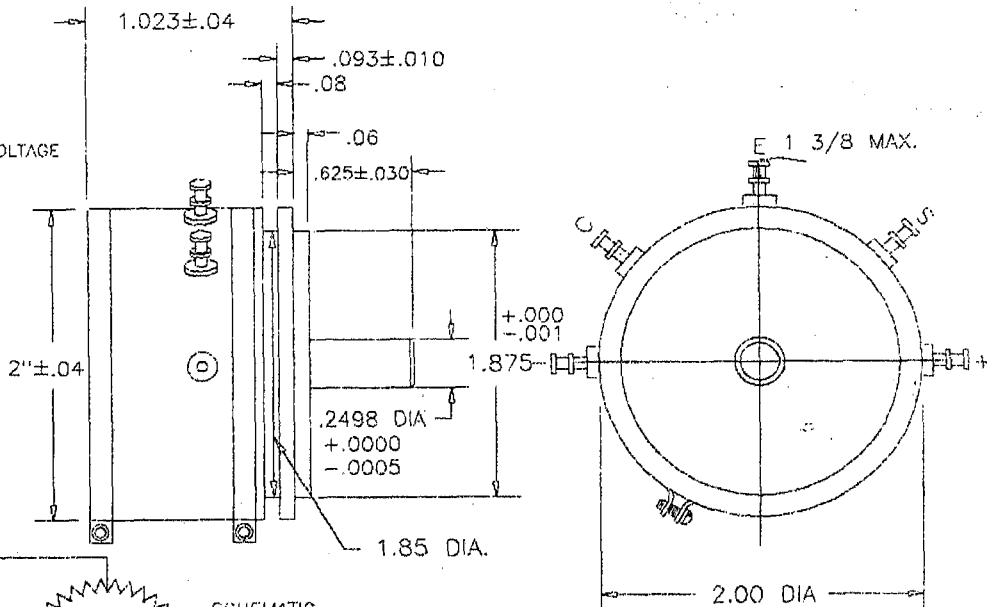
OPERATING TEMPERATURE	-55°C TO +105°C
TEMPERATURE COEFFICIENT	± 400 p.p.m./°C
VIBRATION	10HZ TO 2000HZ 15G
SHOCK	50G
MOISTURE RESISTANCE	40°C 95%RH 120 HOURS

**MATERIALS**

HOUSING	ANODIZED ALUMINUM
SHAFT	STAINLESS STEEL
TERMINALS	GOLD PLATED BRASS
RESISTANCE ELEMENT	CONDUCTIVE FLASTIC

**OPTIONAL FEATURES**

- SHAFT MODIFICATIONS
- REAR SHAFT
- O-RING SHAFT SEAL
- BUSHING MOUNT
- MULTIPLE SECTIONS



Precision Sales Inc  
[www.precisionsales.com](http://www.precisionsales.com)  
[eparts@precisionsales.com](mailto:eparts@precisionsales.com)  
 6140-359-1002