

THIS DOCUMENT CONTAINS PROPRIETARY DATA OF POLARIS INDUSTRIAL ENTERPRISES, INC. NO DISCLOSURE, REPRODUCTION, OR USE OF ANY PART THERE OF MAY BE MADE EXCEPT BY WRITTEN PERMISSION.

REV.	BY	DATE	APPRVD.
G	AT	12-11-01	

P/N SP22G

ADDED MOUNTING PLATE

SPECIFICATIONS

ELECTRICAL

RESISTANCE RANGE-----500.1K, 2K, 5K, 10K, 20K, 50K, 100K
 RESISTANCE TOLERANCE-----±10%
 LINEARITY INDEPENDENT-----±1.0%
 POWER RATING ----- 1.0 WATTS
 ELECTRICAL ANGLE-----340°±4°
 END RESISTANCE ----- 0.2% MAX
 RESOLUTION-----ESSENTIALLY INFINITE
 OUTPUT SMOOTHNESS-----BELOW 0.1% AGAINST INPUT VOLTAGE
 CONTACT RESISTANCE VARIATION-----BELOW 2%
 INSULATION RESISTANCE-----1000MEG OHMS @ 500VDC MIN.
 DIELECTRIC STRENGTH-----500 VAC

MECHANICAL

MECHANICAL ANGLE ----- CONTINUOUS
 ROTATIONAL TORQUE ----- 0.7 OZ.IN.
 SHAFT END PLAY ----- .006 MAX.
 TEMPERATURE COEFFICIENT-----±400 PPM/°C
 WEIGHT, APPROX. ----- 1.1 OZ.
 ROTATIONAL LIFE ----- 10,000,000 TURNS

ENVIRONMENTAL

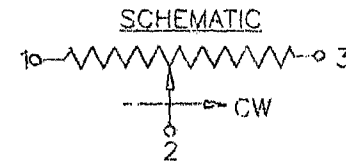
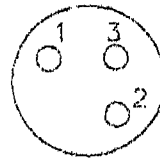
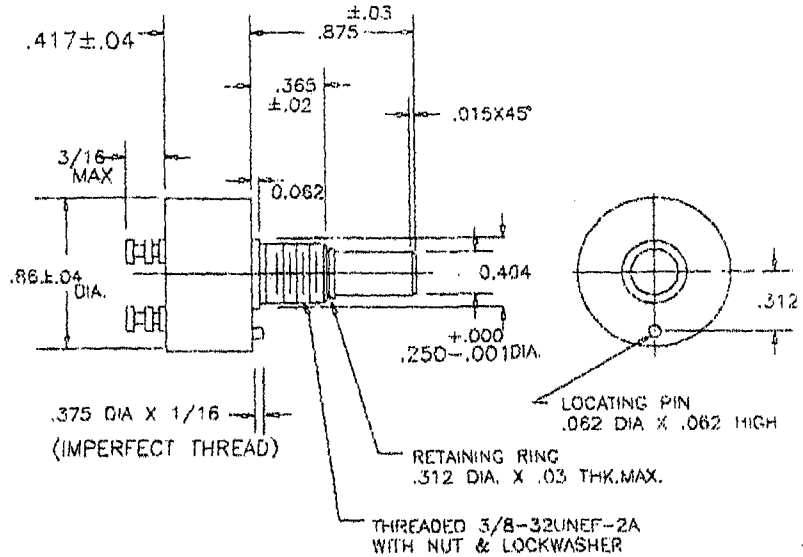
OPERATING TEMPERATURE ----- -55°C TO +105°C
 TEMPERATURE COEFFICIENT ----- ±400 P.P.M./°C
 VIBRATION ----- 10HZ TO 2000HZ 15G
 SHOCK ----- 50G 11MS
 MOISTURE RESISTANCE ----- 40°C 95%RH 120 HOURS

MATERIALS

HOUSING -----HIGH TEMPERATURE PLASTIC
 TERMINALS-----SOLDERABLE DOUBLE TURRET
 SHAFT -----STAINLESS STEEL
 ELEMENT-----CONDUCTIVE PLASTIC

OPTIONS

FRONT SHAFT MODIFICATIONS
 CENTER TAP
 O'RING SHAFT SEAL
 SEALED BODY
 SPECIAL ELECTRICAL / MECHANICAL ANGLES
 SPECIAL LINEARITY & RESISTANCE TOLERANCES
 SERVO MOUNT (SEE SP22GS)



TOLERANCES
 XX = +/- .010" FRACT. = +/- 1/64"
 XXX = +/- .005" ANGLES = +/- 1/2"
 ALL SPECIFICATIONS SUBJECT TO CHANGE WITHOUT NOTICE.

SCALE	DATE: 10-19-	Precision Sales & Equipment Inc
NONE	BY	
CODE IDENT: 19477	APPRVD: BT	610-359-1002
F : 610-353-1674		

TITLE
 SINGLE TURN
 POTENTIOMETER

PART NO.
 SP22G