

Conductive Plastic (Screen Element) Angle Sensor

## CP-2FBJ-6 Series



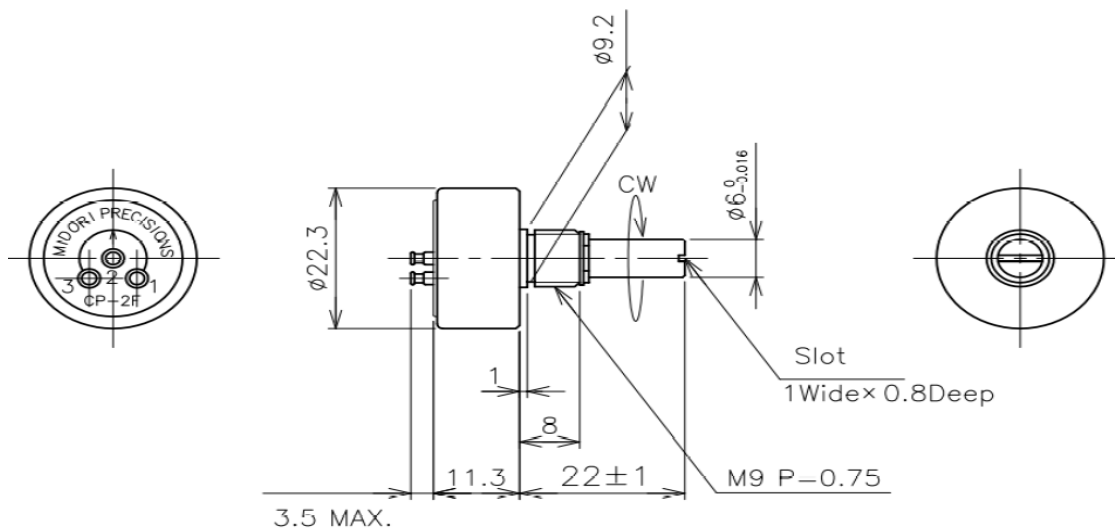
- Conductive Plastic Angle Sensor : **Screen Element**
- Effective Electrical Travel : 340°
- Independent Linearity :  $\pm 1\%$
- Bushing Mount
- Low Cost

- CP-2FBJ-6 : Ball Bearing
- CP-2FBGJ-6 : Metal Sleeve Bearing & O-ring

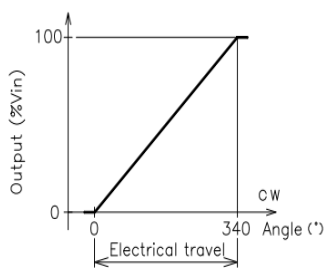
### [Material]

- Housing : Aluminum
- Shaft : Stainless Steel
- Bearing
  - CP-2FBJ-6 ... Ball Bearing : Stainless Steel
  - CP-2FBGJ-6 ... Metal Sleeve Bearing : Copper Alloy

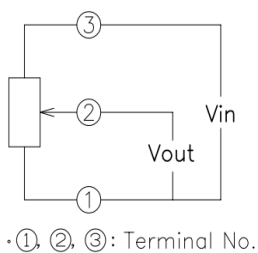
### ■ Dimension (mm)



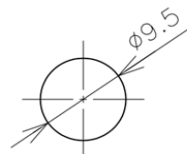
### ■ Output Characteristics



### ■ Schematic



### ■ Mounting



<b>[Model No.]</b>	<b>CP-2FBJ-6</b>	<b>CP-2FBGJ-6</b>
--------------------	------------------	-------------------

<b>Electrical Specifications</b>		
Effective Electrical Travel	340° + 2°、- 3°	
Total Resistance	1K, 2K, 5K, 10K Ω	
Total Resistance Tolerance	±20%	
Independent Linearity	±1%	
Rated Dissipation	0.5W/50℃	
Output Smoothness	MAX. 0.1%	
Insulation Resistance	MIN. 100MΩ/DC1000V	
Dielectric Strength	AC1000V/ 1 Minute	
TC of Resistance	±400 ppm/K	

<b>Mechanical Specifications</b>		
Total Mechanical Travel	360° endless	
Running Torque	MAX. 3.5 mN · m	MAX.20 mN · m
Thrust Load Tolerance	1N	
Radial Load Tolerance	2N	
Mass	Approx. 20g	

<b>Environmental Specifications</b>		
Life Cycles	10 Million Cycle	
Category Temperature Range	-40 ~ +100 ℃	
Storage Temperature Range	-40 ~ +100 ℃	
Vibration	150m/S <sup>2</sup> 2000Hz 3axis 2hours each	
Shock	500m/S <sup>2</sup> 11ms 6directions 3times	

#### ■ Accessories

M9 nut

Inner tooth lock washer 1 piece each

#### ■ Handling Instruction

- To avoid burnout of resistive element, do not supply more than 1mA current to terminal 2.
- Miswiring might cause burnout of resistive element.
- To reduce sliding noise, add load resistance should be more than 100times and less than 1000times of total resistance.
- Slight continuous vibration such as dither might cause short lifetime of the sensor.

Precision Sales Inc  
 38 Bishop Hollow Rd.  
 Newtown Square PA 19073 USA  
 610-359-1002  
 F: 610-353-1674  
[www.precisionsales.com](http://www.precisionsales.com)