

**MW22B** Multiturn Potentiometer

SPECIFICATIONS

ELECTRICAL

RESISTANCE RANGE _____	100 TO 100,000 OHMS
RESISTANCE TOLERANCE _____	± 5%
INDEPENDENT LINEARITY _____	SEE CHART
POWER RATING _____	SEE CHART
ELECTRICAL NOISE _____	100 OHMS MAX.
ELECTRICAL ANGLE _____	SEE CHART
END RESISTANCE _____	1 OHM OR 1% MAX.
RESOLUTION _____	SEE CHART
INSULATION RESISTANCE _____	1000 MEGOHMS MIN,@ 500VDC
DIELECTRIC STRENGTH _____	1000 VAC MIN.

MECHANICAL

MECHANICAL ANGLE _____	SEE CHART
STOP STRENGTH _____	48 OZ.IN.
STARTING TORQUE _____	1.4 OZ. IN. MAX.
ROTATIONAL LIFE _____	1,000,000 REVOLUTIONS
WEIGHT _____	0.8 OZ.

ENVIRONMENTAL

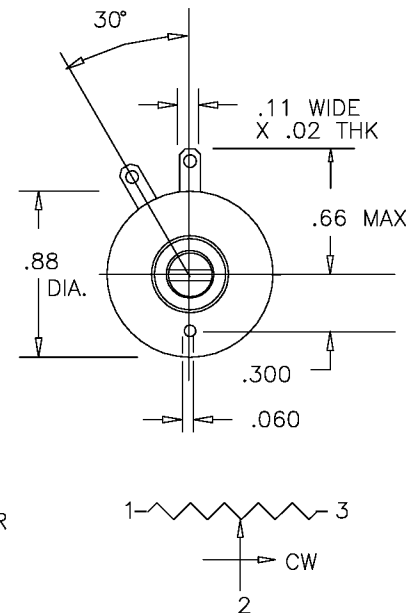
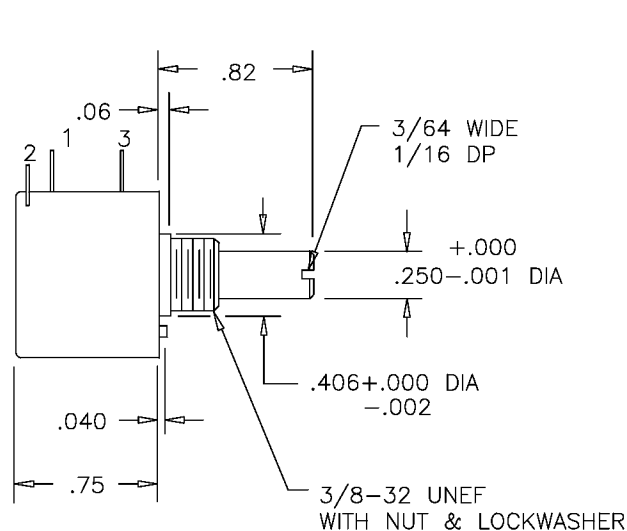
OPERATING TEMPERATURE _____	-55° TO +105°C
TEMPERATURE COEFFICIENT _____	SEE CHART
VIBRATION _____	10Hz TO 2,000Hz 15G
MOISTURE RESISTANCE _____	40°C95%RH 120 HOURS
SHOCK _____	50G 11mS

MATERIALS

HOUSING-----	HIGH TEMP. THERMO PLASTIC
TERMINALS-----	GOLD PLATED BRASS
BUSHING-----	BRASS
SHAFT -----	STAINLESS STEEL
RESISTIVE ELEMENT-----	WIREWOUND

NON-STANDARDS AVAILABLE

- MULTI-GANGED UP TO 6 SECTIONS
- REAR SHAFT EXTENSION
- FRONT SHAFT MODIFICATIONS



RESOLUTION CHART

RESISTANCE (OHMS)	50	100	200	500	1K	2K	5K	10K	20K	50K	100K
MW22B-1 TURN	0.60	0.50	0.40	0.30	0.25	0.20	0.20	0.16			
MW22B-3 TURN	.15	.12	.090	.070	.056	.058	.045	.036	.030	.027	
MW22B-5 TURN	.10	.08	.064	.050	.040	.042	.032	.026	.021	.019	
MW22B-10 TURN	.06	.05	.040	.030	.025	.020	.020	.016	.013	.010	.009
TEMPERATURE COEFFICIENT PPM/°C	80						20				

MODEL	ELECTRICAL ANGLE	MECHANICAL ANGLE	LINEARITY INDEPENDENT	POWER RATING
MW22B-1	360°±5°	360°+10°/-0°	±0.5%	0.5WATT
MW22B-3	1080°±5°	1080°+10°/-0°	±0.5%	1 WATT
MW22B-5	1800°±5°	1800°+10°/-0°	±0.3%	1 WATT
MW22B-10	3600°±5°	3600°+10°/-0°	±0.25%	2 WATT