

REV.	BY	DATE	PART NO. MW12B-10
C	BT	11-21 87	MECH. ANGLE WAS 3600±5° ADDED OPERATING TEMPERATURE

SPECIFICATIONS

ELECTRICAL

- RESISTANCE RANGE ———— SEE CHART
- RESISTANCE TOLERANCE ———— ±3%
- LINEARITY TOLERANCE ———— ±0.25%
- RESOLUTION ———— SEE CHART
- END RESISTANCE AT TERM. ———— 1 OHM OR 0.1%
- ELECTRICAL ANGLE ———— 3600±5°
- ELECTRICAL NOISE ———— 100 OHM MAX.
- POWER RATING ———— 1.5 WATTS
- MAXIMUM VOLTAGE ———— 450 VOLTS
- INSULATION RESISTANCE ———— 1,000 MEGOHMS @ 500 V.D.C.
- DIELECTRIC STRENGTH ———— 1,000 V.A.C.

MECHANICAL

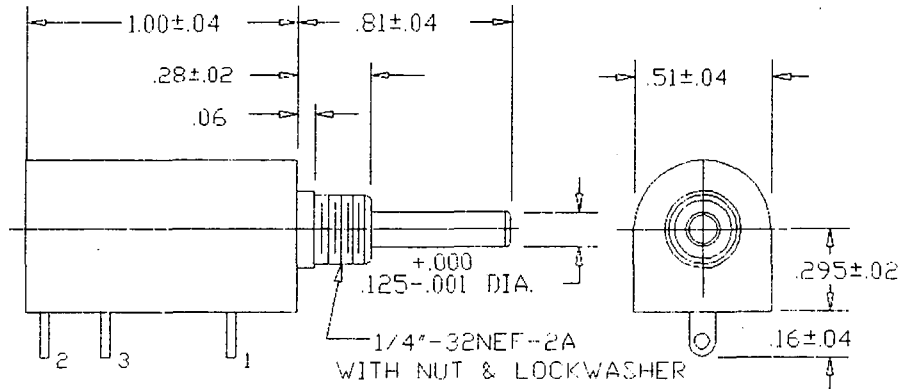
- NUMBER OF TURNS ———— 10
- MECHANICAL ANGLE ———— 3600±15°-0°
- TORQUE ———— 0.4 OZ. IN. MAX.
- STOP STRENGTH ———— 20 OZ. IN. MAX.
- WEIGHT ———— 0.35 OZ.

ENVIRONMENTAL

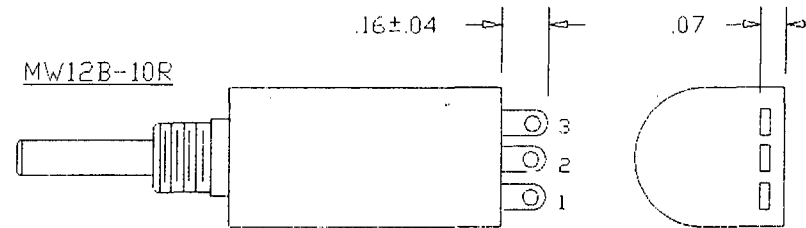
- OPERATING TEMPERATURE ———— -55°C to +105°C
- TEMPERATURE COEFFICIENT ———— SEE CHART
- VIBRATION ———— 10Hz TO 2000Hz 15G
- SHOCK ———— 50G 11ms
- MOISTURE RESISTANCE ———— 40°C 95%RH 120 HOURS
- POTENTIAL LIFE ———— 1,000,000 SHAFT REVOLUTIONS

MATERIALS

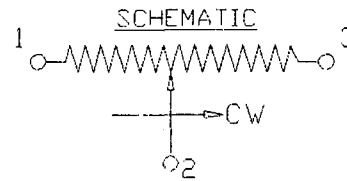
- HOUSING ———— HIGH TEMPERATURE PLASTIC
- SHAFT ———— STAINLESS STEEL
- PUSHING ———— BRASS
- TERMINALS ———— GOLD PLATED
- ELEMENT ———— WIREWOUND



MW12B-10L



MW12B-10R



RESISTANCE	20	50	100	200	500	1K	2K	5K	10K	20K	50K	100K
RESOLUTION	.070	.050	.059	.054	.039	.040	.033	.024	.021	.016	.012	.009
TEMPERATURE COEFFICIENT, PPM/°C	700	700	80	80	80	20	20	20	20	20	20	20

SCALE	NONE
DATE:	4-3-79
BY	
APPRV'D	BT
CODE IDENT:	19477

THIS DOCUMENT CONTAINS PROPRIETARY DATA OF POLARIS INDUSTRIAL ENTERPRISES, INC. NO DISCLOSURE, REPRODUCTION, OR USE OF ANY PART THERE OF MAY BE MADE EXCEPT BY WRITTEN PERMISSION.

TITLE
MULTI-TURN POTENTIOMETER

PRECISION SALES INC
 610-359-1002
 F : 610-353-1674
 www.precisionsales.com

PART NO.
MW12B-10

TOLERANCES
 XX = +/- .010" FRACT. = +/- 1/64"
 XXX = +/- .005" ANGLES = +/- 1/2°
 ALL SPECIFICATIONS SUBJECT TO CHANGE WITHOUT NOTICE.