

ELECTRICAL

- RESISTANCE RANGE _____ 0.5 OHMS TO 300K OHMS
- RESISTANCE TOLERANCE _____ ±5%
- LINEARITY, INDEPENDENT _____ .3%
- RESOLUTION _____ SEE CHART
- ELECTRICAL ANGLE _____ 3600°±5°
- NOISE _____ 100 OHMS MAX.
- POWER RATING _____ 5 WATTS
- INPUT VOLTAGE _____ 900 VOLTS MAX.
- INSULATION RESISTANCE _____ OVER 100 MEGOHMS @ 1000 VDC
- DIELECTRIC STRENGTH _____ 1000 VAC MINIMUM

REV.	BY	DATE	MU46B
D	FR	10-8 92	M046B WAS M046

MECHANICAL

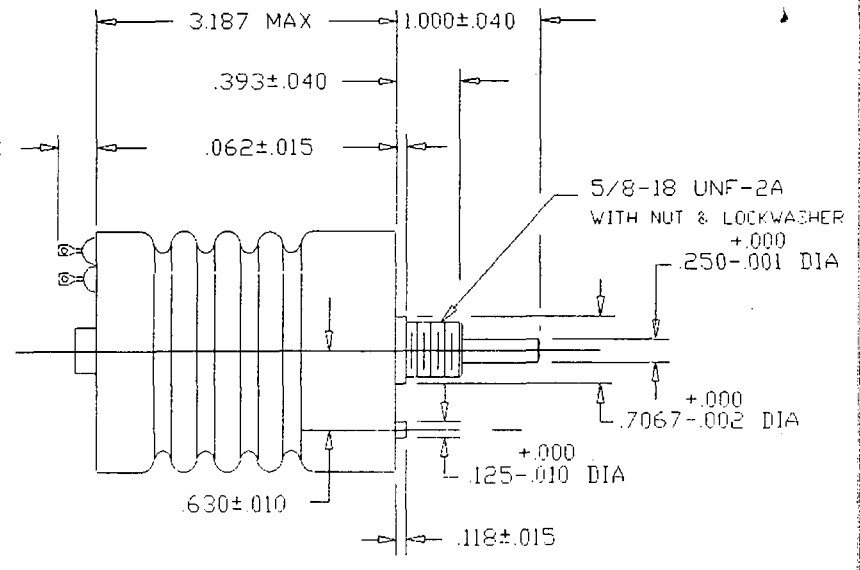
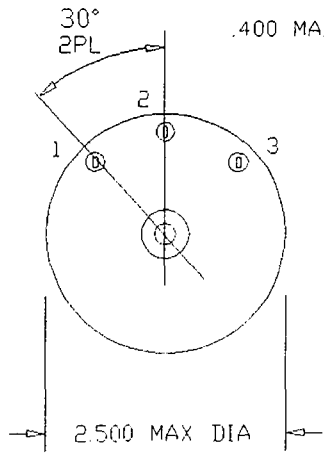
- NUMBER OF TURNS _____ 10
- MECHANICAL ANGLE _____ 3600°+10°,-0°
- TORQUE, STARTING _____ 4.2 OZ. IN. MAX.
- TORQUE, RUNNING _____ 3.4 OZ. IN. MAX.
- SHAFT RUNOUT _____ .003 T.I.R. MAX.
- SHAFT END PLAY _____ .005 T.I.R. MAX.
- SHAFT RADIAL PLAY _____ .005 T.I.R. MAX.
- STOP STRENGTH _____ 125 OZ. IN. MIN.
- ROTATIONAL LIFE _____ 2,000,000 TURNS
- WEIGHT _____ 11 OZ. (APPROX.)

ENVIRONMENTAL

- OPERATING TEMPERATURE _____ -20°C TO +60°C
- TEMPERATURE COEFFICIENT _____ SEE CHART
- VIBRATION _____ 10Hz to 2,000Hz 10G
- SHOCK _____ 30G 11ms
- MOISTURE RESISTANCE _____ 40°C 95%RH 2000 HOURS

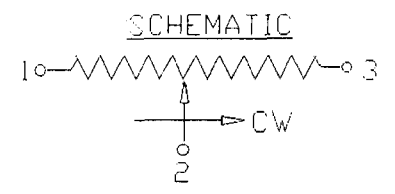
OPTIONAL FEATURES

- SHAFT MODIFICATIONS _____
- REAR SHAFT _____
- SPECIAL ANGLES _____
- CENTER TAP _____
- SPECIAL LINEARITY _____
- SERVO MOUNT _____
- HIGH TORQUE _____
- SHAFT LOCKS _____



RESOLUTION CHART

RESISTANCE	0.5	1	2	5	10	20	50	100	200	500	1K	2K	5K	10K	20K	30K	50K	100K	200K	300K
RESOLUTION	-	-	-	-	-	-	.05	.04	.031	.023	.026	.020	.015	.011	.009	.008	.007	.006	.004	.0036
TEMPCO PPM/°C	80										20									



WIREWOUND RESISTANCE ELEMENT	SCALE	NONE	THIS DOCUMENT CONTAINS PROPRIETARY DATA OF POLARIS INDUSTRIAL ENTERPRISES, INC. NO DISCLOSURE, REPRODUCTION, OR USE OF ANY PART THERE OF MAY BE MADE EXCEPT BY WRITTEN PERMISSION.	Precision Sales & Equipment Inc. 610-359-1002 FAX 610-353-1674
	DATE:	4-16-75		
	BY		TITLE OIL FILLED POTENTIOMETER	PART NO. M046B
TOLERANCES XX = +/- .010" FRACT. = +/- 1/64" XXX = +/- .005" ANGLES = +/- 1/2"	APPR'VD	BT		
ALL SPECIFICATIONS SUBJECT TO CHANGE WITHOUT NOTICE.			CODE IDENT: 19477	