

SPECIFICATIONS

ELECTRICAL

RESISTANCE RANGE----- 100 TO 100K OHMS
 RESISTANCE TOLERANCE----- ±5%
 LINEARITY(INDEPENDENT)----- ± 0.25%
 ELECTRICAL ANGLE----- 3600° ±5°
 END RESISTANCE----- .2% OR 20HMS (WHICHEVER IS GREATER)
 ELECTRICAL NOISE(ENR)----- 100 OHMS
 RESOLUTION----- SEE CHART
 INSULATION RESISTANCE----- 1000 MEGOHMS @ 500VDC
 DIELECTRIC STRENGTH----- 1000 VAC MIN
 POWER RATING----- .75 WATTS

MECHANICAL

NO OF TURNS----- 10
 MECHANICAL ANGLE----- 3600 +10° -0°
 ROTATIONAL LIFE----- 1,000,000 TURNS
 STOP STRENGTH----- 96 OZ. IN. MIN.
 STARTING TORQUE----- 5.0 OZ.IN.MAX
 WEIGHT----- 4 OZ. (APPROX.)

ENVIRONMENTAL

OPERATING TEMPERATURE----- -20°C TO +60°C
 TEMPERATURE COEFFICIENT----- SEE CHART
 VIBRATION----- 10HZ TO 2000HZ 10G
 SHOCK----- 30G 11MS
 MOISTURE RESISTANCE----- 40°C 95%RH 2000 HOURS

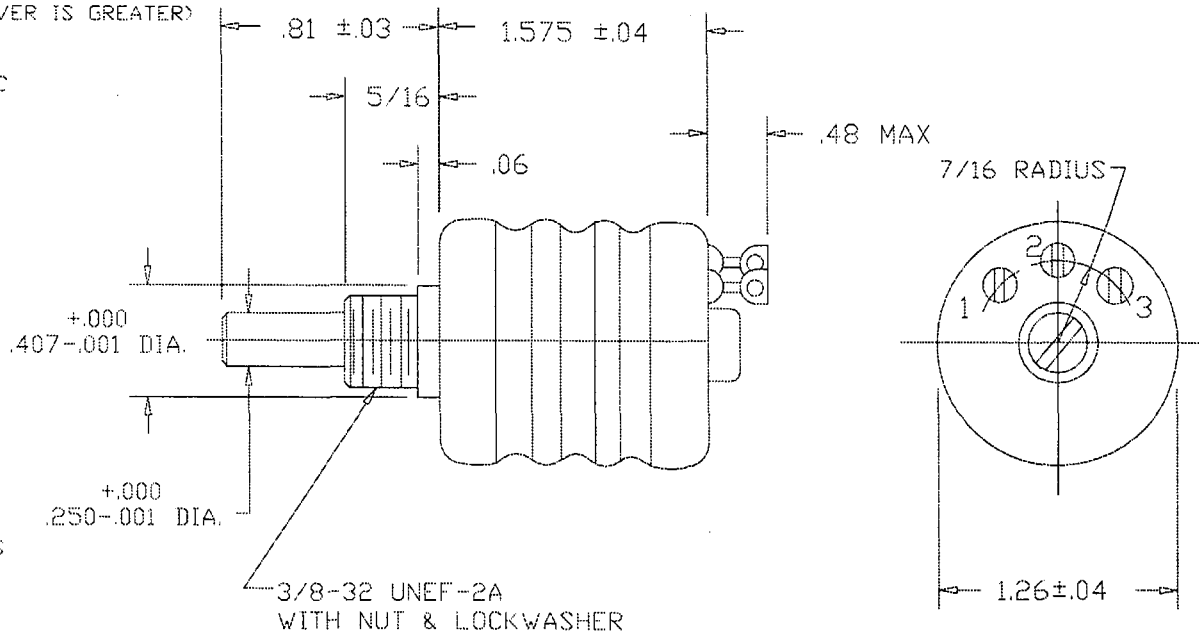
MATERIALS

HOUSING----- METAL
 SHAFT----- STAINLESS STEEL
 BUSHING----- PLATED BRASS
 TERMINALS----- GLASS HEADERS
 RESISTANCE ELEMENT----- WIREWOUND

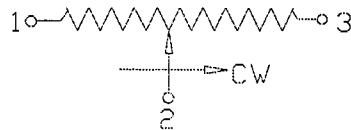
OPTIONAL FEATURES

SHAFT MODIFICATIONS
 REAR SHAFT
 SPECIAL ANGLES
 CENTER TAP

REV.	BY	DATE	PART NO.	M020B
A	PD	4-13 92	PART NO. M020B WAS M020	



SCHEMATIC



RESOLUTION CHART

RESISTANCE	100	200	500	1K	2K	5K	10K	20K	50K	100K
RESOLUTION%	.06	.05	.031	.025	.02	.02	.016	.013	.01	.009
TEMPERATURE COEFFICIENT	80	80	80	20	20	20	20	20	20	20

NOTES:

WIREWOUND
 RESISTANCE
 ELEMENT

SCALE: NONE
 DATE: 8-17-86
 BY:

THIS DOCUMENT CONTAINS PROPRIETARY DATA OF POLARIS INDUSTRIAL ENTERPRISES, INC. NO DISCLOSURE, REPRODUCTION, OR USE OF ANY PART THERE OF MAY BE MADE EXCEPT BY WRITTEN PERMISSION.

Precision Sales & Equipment Inc.
 610-359-1002
 FAX 610-353-1674
 www.precisionsales.com

TOLERANCES

XX = .010 FRACTIONS = /64
 XXX = ±.005 ANGLES = ±1/2°

APRV'D BT
 CODE IDENT:
 19477

TITLE

OIL FILLED
 MULTI-TURN
 POTENTIOMETER

PART NO.

M020B