

SPECIFICATIONS

ELECTRICAL

RESISTANCE VALUES	1K,2K,5K,10K,20K,50K,100K OHMS(10 TURN) 500,1K,2K,5K,10K,20K,(3 AND 5 TURNS)
RESISTANCE TOLERANCE	±10%
INDEPENDENT LINEARITY	SEE CHART
OUTPUT SMOOTHNESS	<0.015%<(10 TURN), <0.05%<(3 AND 5 TURN)
CONTACT VARIATION	<3%<(10 TURN), <5%<(3 AND 5 TURN)
POWER RATING	SEE CHART
ELECTRICAL ANGLE	SEE CHART
END VOLTAGE	0.3 % MAX.
RESOLUTION	ESSENTIALLY INFINITE
INSULATION RESISTANCE	1000 MEGOHMS MIN.@ 500VDC
DIELECTRIC STRENGTH	1000 VAC MIN.

MECHANICAL

MECHANICAL ANGLE	SEE CHART
STOP STRENGTH	48 OZ.IN.
STARTING TORQUE	LESS THAN 0.7 OZ.INCHES
ROTATIONAL LIFE	10,000,000 (10TURN) 5,000,000 (3 AND 5 TURN)
WEIGHT	0.8 OZ.

ENVIRONMENTAL

OPERATING TEMPERATURE	-55° TO +105°C
TEMPERATURE COEFFICIENT	±100 P.P.M./°C
VIBRATION	10Hz TO 2,000Hz 15G
MOISTURE RESISTANCE	40°C 95%RH 120 HOURS
SHOCK	50G 11ms

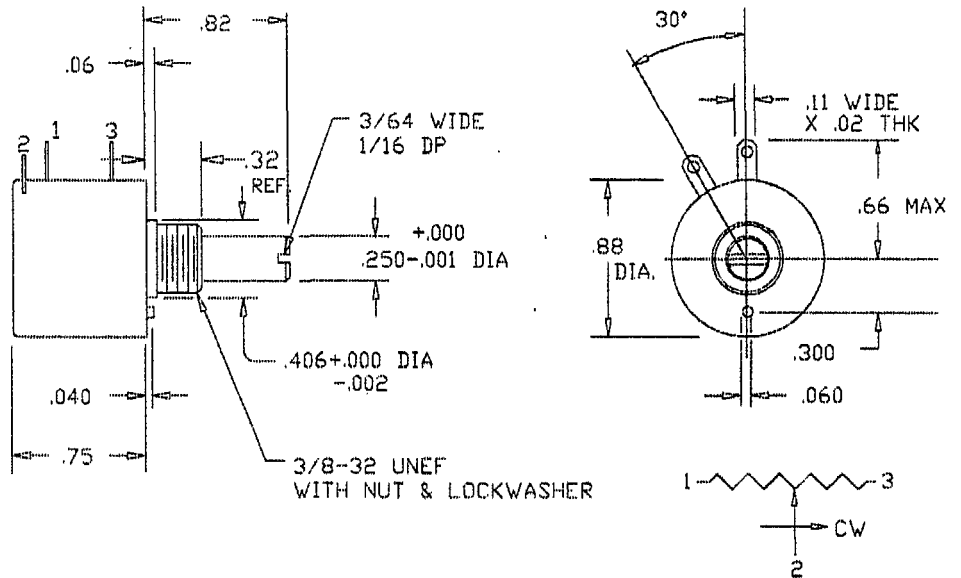
NON-STANDARDS AVAILABLE

- MULTI-GANGED UP TO 6 SECTIONS
- REAR SHAFT EXTENTION
- FRONT SHAFT MODIFICATIONS
- SERVO MOUNTING

MATERIALS

- HOUSING-----HIGH TEMP. THERMO PLASTIC
- TERMINALS-----GOLD PLATED BRASS
- BUSHING-----BRASS
- SHAFT-----STAINLESS STEEL
- RESISTIVE ELEMENT-----HYBRID

REV.	BY	DATE	PART NO.
D	BT	03-05 00	MH22B
			OUTPUT SMOOTHNESS WAS .15



NO. OF TURNS	MODEL	ELECTRICAL ANGLE	MECHANICAL ANGLE	LINEARITY INDEPENDENT	POWER RATING
3	MH22B-3	1080°±5°	1080°+10°/0°	±0.5%	1 WATT
5	MH22B-5	1800°±5°	1800°+10°/-0°	±0.35%	1 WATT
10	MH22B-10	3600°±5°	3600°+10°/-0°	±0.25%	2 WATT

www.precisionsales.com
eparts@precisionsales.com

SCALE	NONE
DATE:	10-1-88
BY	G.L.S.
APPRV'D	BT
CODE IDENT:	19477

THIS DOCUMENT CONTAINS PROPRIETARY DATA OF POLARIS INDUSTRIAL ENTERPRISES, INC. NO DISCLOSURE, REPRODUCTION, OR USE OF ANY PART THERE OF MAY BE MADE EXCEPT BY WRITTEN PERMISSION.

TITLE
HYBRID MULTI-TURN
POTENTIOMETER

Precision Sales & Equipment Inc.
610-359-1002
FAX 610-353-1674

PART NO.
MH22B

TOLERANCES

XX = +/- .010° FRACT. = +/- 1/64°
XXX = +/- .005° ANGLES = +/- 1/2°

ALL SPECIFICATIONS SUBJECT TO CHANGE WITHOUT NOTICE.