

SPECIFICATIONS

REV.	BY	DATE	PART NO.	MH12B

ELECTRICAL

RESISTANCE RANGE	1K,2K,5K,10K,20K,50K,100K OHMS
RESISTANCE TOLERANCE	±10%
LINEARITY TOLERANCE	±0.4%
RESOLUTION	ESSENTIALLY INFINITE
OUTPUT SMOOTHNESS	<0.05% AGAINST INPUT VOLTAGE
CONTACT RESISTANCE VARIATION	<5% C.R.V.
ELECTRICAL ANGLE	3600°±5°
POWER RATING	1.0 WATT
MAXIMUM VOLTAGE	450 VOLTS
INSULATION RESISTANCE	1,000 MEGOHMS @ 500 V.D.C.
DIELECTRIC STRENGTH	1,000 V.A.C.

MECHANICAL

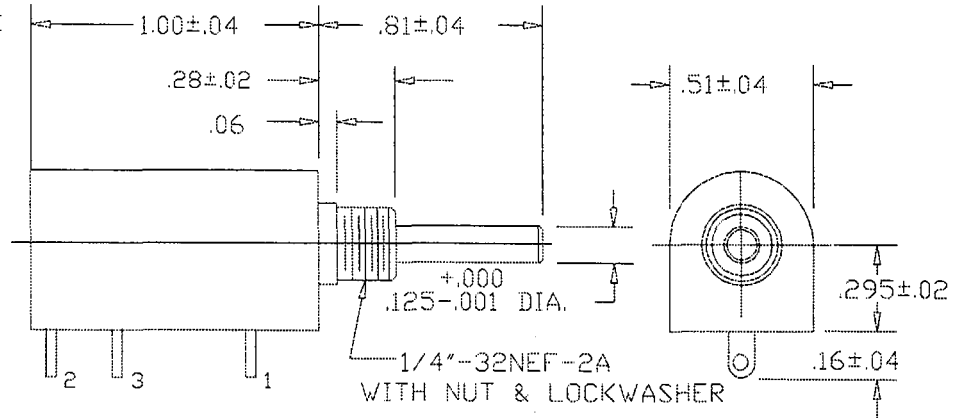
NUMBER OF TURNS	10
MECHANICAL ANGLE	3600°+15°-0°
TORQUE	0.4 OZ. IN. MAX.
STOP STRENGTH	20 OZ. IN. MAX.
WEIGHT	0.35 OZ.

ENVIRONMENTAL

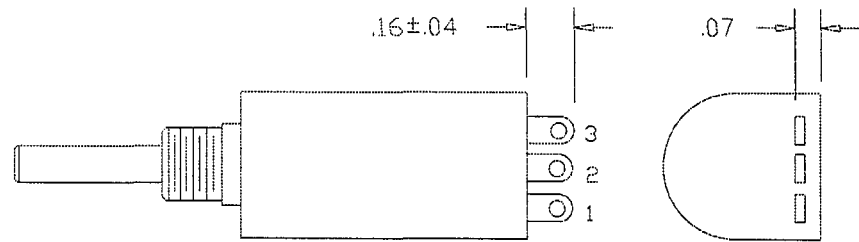
OPERATING TEMPERATURE	-55°C to +105°C
TEMPERATURE COEFFICIENT	±100 PPM/°C
VIBRATION	10Hz TO 2000Hz 15G
SHOCK	50G 11mS
MOISTURE RESISTANCE	40°C 95%RH 120 HOURS
ROTATIONAL LIFE	10,000,000 SHAFT REVOLUTIONS

MATERIALS

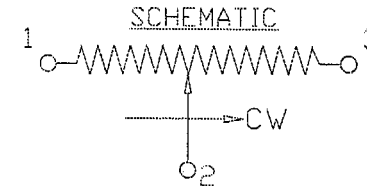
HOUSING	HIGH TEMPERATURE PLASTIC
SHAFT	STAINLESS STEEL
BUSHING	BRASS
TERMINALS	GOLD PLATED
ELEMENT	HYBRID



MH12B-10L



MH12B-10R



HYBRID RESISTANCE ELEMENT	SCALE	NONE	THIS DOCUMENT CONTAINS PROPRIETARY DATA OF POLARIS INDUSTRIAL ENTERPRISES, INC. NO DISCLOSURE, REPRODUCTION, OR USE OF ANY PART THERE OF MAY BE MADE EXCEPT BY WRITTEN PERMISSION.	Precision Sales & Equipment Inc. 610-359-1002 FAX 610-353-1674
	DATE:	05-18-89		
	BY	GT		
TOLERANCES	APPRV'D	BT	TITLE	PART NO.
XX = +/- .010" FRACT. = +/- 1/64"	CODE IDENT:	19477	MULTI-TURN POTENTIOMETER	MH12B
XXX = +/- .005" ANGLES = +/- 1/2°			ALL SPECIFICATIONS SUBJECT TO CHANGE WITHOUT NOTICE.	