

REVISIONS				
C/L	DESCRIPTION	BY	APP'D	DATE
A	REV. NOTES & NAMES	MC	AD	5/10/00

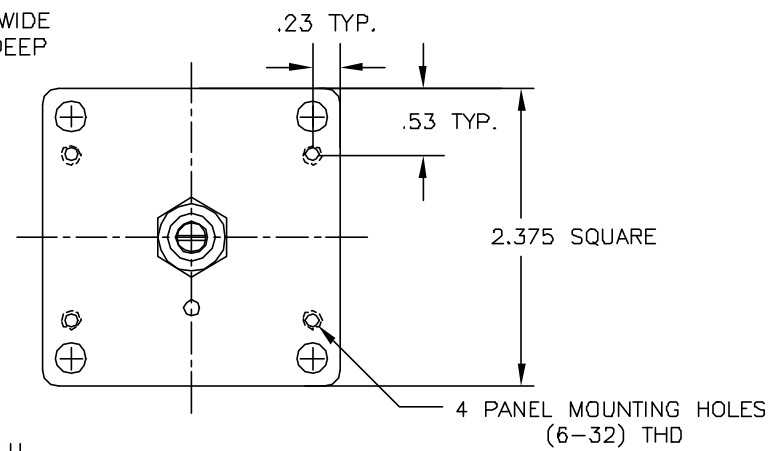
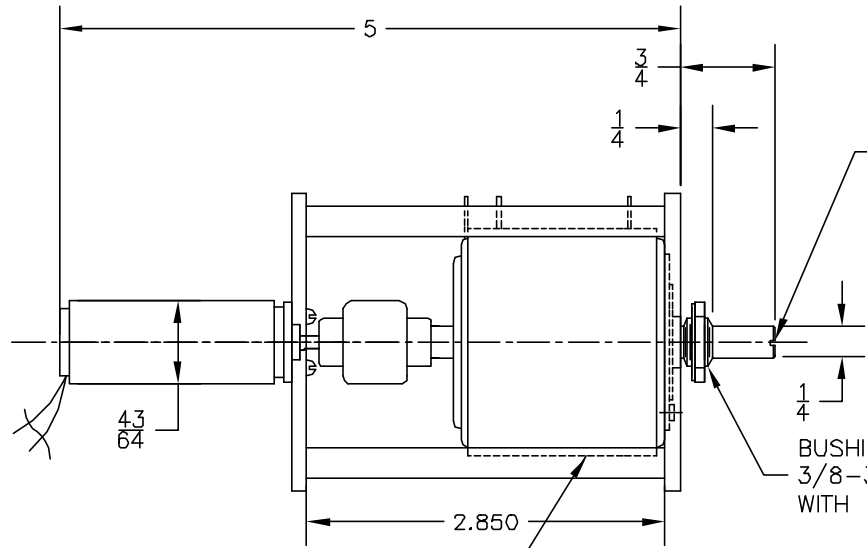
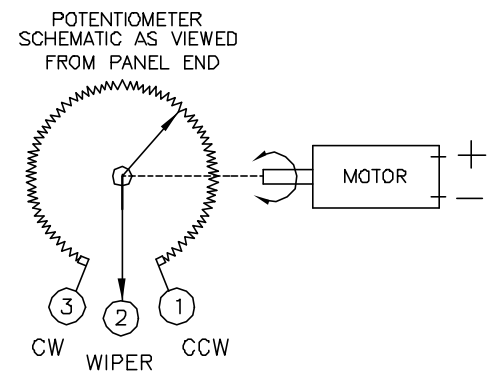


CHART II

DASH No.	RESISTANCE OHMS	RESOLUTION %
203	20,000	.011
103	10,000	.010
502	5,000	.013
102	1,000	.020

CHART I

12	5.0	30
10	5.0	20
5	5.0	12
3	5.0	6
1.3	5.0	2
VOLTAGE DC	ma	RPM
NO LOAD		



- 3.2 SEALED CONSTRUCTION.  
 3.1 ANODIZED ALUMINUM BASE.  
 3. GENERAL SPECIFICATIONS.  
 2.9 MECHANICAL ANGLE:  $3600^\circ +4^\circ -0^\circ$   
 2.8 ELECTRICAL ANGLE:  $3600^\circ +4^\circ -0^\circ$   
 2.7 THEORETICAL RESOLUTION: SEE CHART II.  
 2.6 ROTATIONAL LIFE: 2,000,000 SHAFT REVOLUTIONS.  
 2.5 RESISTANCE TOLERANCE:  $\pm 3\%$   
 2.4 WATTAGE: 5 WATTS @  $40^\circ\text{C}$ , 0 WATTS @  $125^\circ\text{C}$ .  
 2.3 INDEPENDENT LINEARITY:  $\pm 0.15\%$ .  
 2.2 TEN TURN POTENTIOMETER  
 2.1 STANDARD RESISTANCE: SEE CHART II. (OTHER VALUES ON REQUEST.)

2. POTENTIOMETER DATA.  
 1.5 TYPE: PERMANENT MAGNET.  
 1.4 BREAK AWAY VOLTAGE: 1.25 VOLTS. DC.  
 1.3 CURRENT: (SEE CHART I).  
 1.2 VOLTAGE, DC: (SEE CHART I).  
 1.1 SPEED: (SEE CHART I).  
 1. MOTOR SPECIFICATIONS.

TOLERANCES UNLESS OTHERWISE SPECIFIED		PRECISION SALES INC. www.precisionsales.com	
FRACTIONS $\pm 1/64$	DECIMALS .XX $\pm .010$	P: 610-359-1002	F: 610-353-1674
ANGLES $\pm 1/2^\circ$	.XXX $\pm .005$	<b>MAUREY INSTRUMENT CORP.</b>	
THESE DRAWINGS AND SPECIFICATIONS ARE THE PROPERTY OF MAUREY INSTRUMENT CORP AND ARE ISSUED IN STRICT CONFIDENCE AND SHALL NOT BE REPRODUCED OR COPIED OR USED AS THE BASIS FOR THE MANUFACTURE OR SALE OF APPARATUS IN WHOLE OR IN PART WITHOUT PERMISSION		DC, MOTOR DRIVEN, POTENTIOMETER	
PART NO.	XM3279	DRAWN BY AD	SCALE NONE
NEXT ASSY.		APP'D AD	DATE 2/9/00
			M3279 A