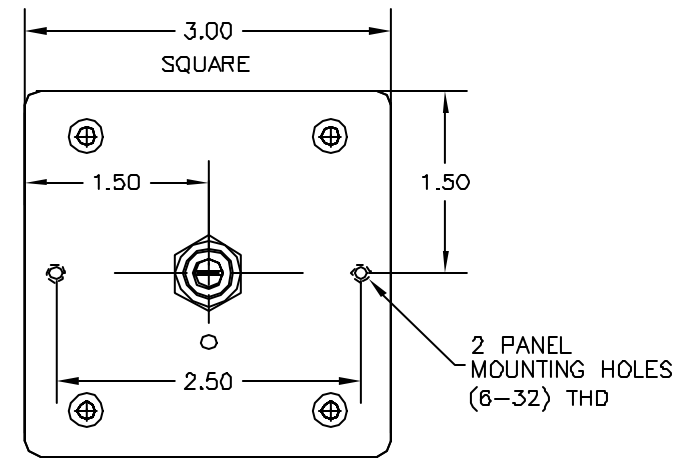


REVISIONS				
C/L	DESCRIPTION	BY	APP'D	DATE
B	REVISED CHART III	AD	JAH	7/9/02

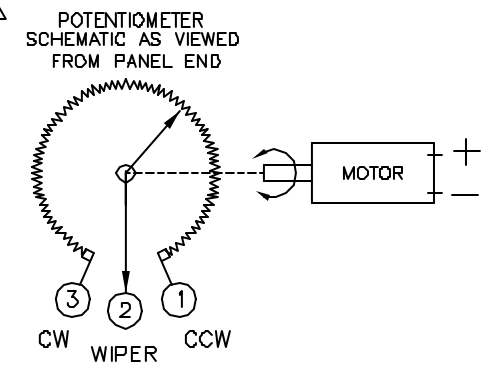


- 3.4 FOR ADDITIONAL POTS OVERALL LENGTH "A", CONSULT MIC.
  - 3.3 OVERALL MOTORIZED POT. LENGTH FOR ONE POT.: "A" SEE CHART III.
  - 3.2 SEALED CONSTRUCTION.
  - 3.1 ANODIZED ALUMINUM BASE.
3. GENERAL SPECIFICATIONS.

CHART III

DIM. "A"	POTENTIOMETER TYPE	NUMBER OF POTS
6.3"	TEN TURN (200-H853)	1
5.3"	TEN TURN (87-H679)	1
5.6"	SINGLE TURN (200-MB48)	1

- 2.7 UP TO 6 SINGLE TURN POTENTIOMETERS OR SWITCHES MAY BE ADDED.
- 2.6 AVAILABLE IN SINGLE TURN AND 10 TURN.
- 2.5 RESOLUTION: SEE POTENTIOMETER SPECS.
- 2.4 WATTAGE: SEE POTENTIOMETER SPECS.
- 2.3 INDEPENDENT LINEARITY: SEE POTENTIOMETER SPECS.
- 2.2 RESISTANCE TOLERANCE: SEE POTENTIOMETER SPECS.
- 2.1 STANDARD RESISTANCE: SEE CHART II (OTHER VALUES ON REQUEST.)



2. POTENTIOMETER WIRE WOUND DATA.

- 1.7 REVERSIBLE DC MOTOR.
- 1.6 TYPE: PERMANENT MAGNET.
- 1.5 BREAK AWAY VOLTAGE: 5 VOLTS. DC.
- 1.4 TORQUE AT 6 VOLTS: 20 OUNCE-INCHES.
- 1.3 CURRENT: (SEE CHART I).
- 1.2 VOLTAGE, DC: (SEE CHART I).
- 1.1 SPEED: (SEE CHART I).

CHART I

35	89	51
28	76	40
24	72	30
12	60	15
6	49	6
VOLTAGE DC	mA	RPM
NO LOAD		

CHART II

203	20,000
103	10,000
502	5,000
102	1,000
DASH No.	RESISTANCE OHMS

TOLERANCES UNLESS OTHERWISE SPECIFIED		www.precisionsales.com	
FRACTIONS ±1/64	DECIMALS	610-359-1002	F : 610-353-1674
ANGLES ±1/2°	XX ± .010	DC, MOTOR DRIVEN, POTENTIOMETER	
	XXX ± .005		
THESE DRAWINGS AND SPECIFICATIONS ARE THE PROPERTY OF WAUKEY INSTRUMENT CORP. AND ARE ISSUED IN STRICT CONFIDENCE AND SHALL NOT BE REPRODUCED OR COPIED OR USED AS THE BASIS FOR THE MANUFACTURE OR SALE OF APPARATUS IN WHOLE OR IN PART WITHOUT PERMISSION			
PART NO. XN3297		CUSTOMER	
NEXT ASSY.		DRAWN BY NC	SCALE NONE
		APP'D AD	DATE 5/30/00
		M3297 B	