

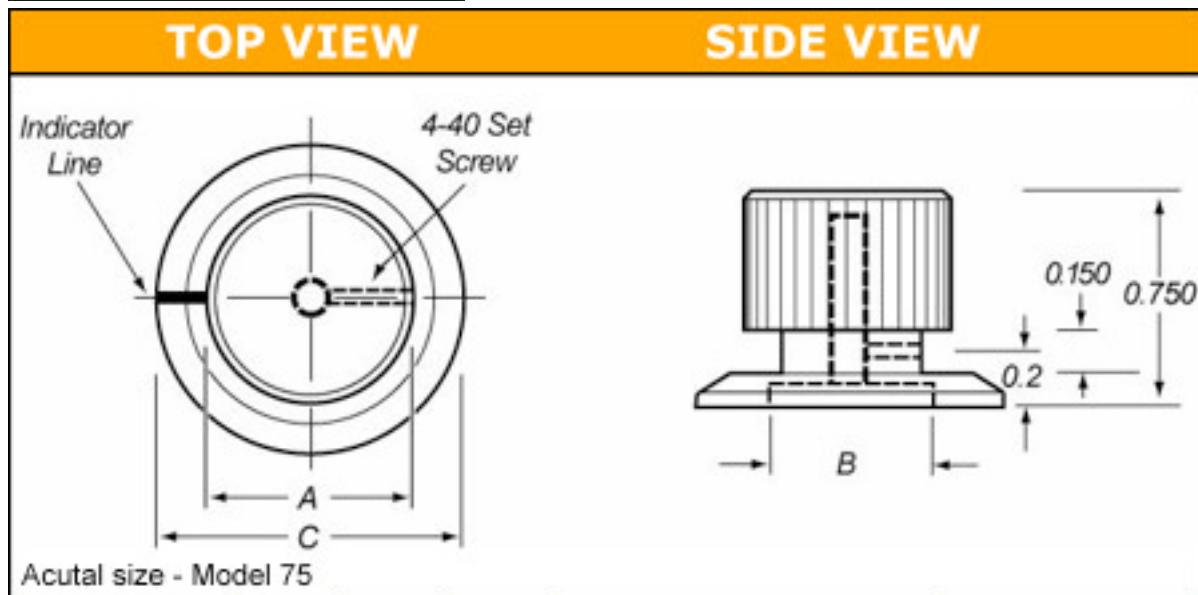
PRECISION SALES & equipment inc.

PO Box 518
38 Bishop Hollow Rd.
Newtown Square, PA 19073

eparts@precisionsales.com
(610)359-1002
FAX (610)353-1674
www.precisionsales.com

DDSP Series : Precision Aluminum Instrumentation Knob

This distinctively engineered knob eliminates revolution due to incidental contact. The knob must be depressed before rotation can occur. Saw cut indicator line located on skirt. Single 4-40 set screw..



MODEL	A	B	C	COLOR CHOICE	SHAFT
75	.750	.590	1.113	1 - CLEAR GLOSS	5 - .250
				2 - BLACK GLOSS	6 - .125
				3 - CLEAR MATTE	6mm - 6mm
				4 - BLACK MATTE	