

PRECISION SALES & equipment inc.

PO Box 518
38 Bishop Hollow Rd.
Newtown Square, PA 19073

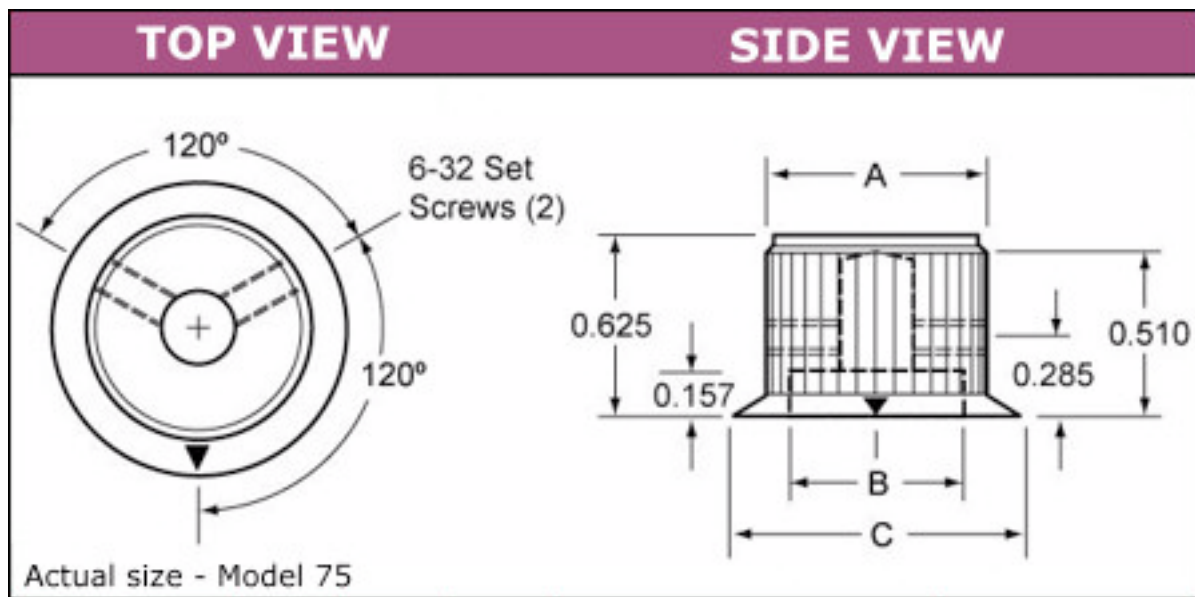
eparts@precisionsales.com
(610)359-1002
FAX (610)353-1674
www.precisionsales.com

DDS Series : Precision Aluminum Instrumentation Knob

The "DDS Model" knob is our very popular "DD Model" with an attractive skirt extended on the bottom portion of the knob for easier viewing of the rotation from atop. Indicator "triangle" located on the skirt. Two 6-32 set screws.



DDS90 - Black Gloss, DDS75 - Black Matte & Clear Gloss, DDS50 - Clear Matte



MODEL	A	B	C	COLOR CHOICE	SHAFT
50	.500	.375	.685	1 - CLEAR GLOSS	5 - .250
75	.750	.590	1.000	2 - BLACK GLOSS	6 - .125
90	.925	.708	1.250	3 - CLEAR MATTE	6mm - 6mm
				4 - BLACK MATTE	