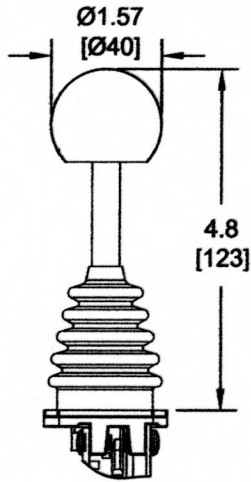
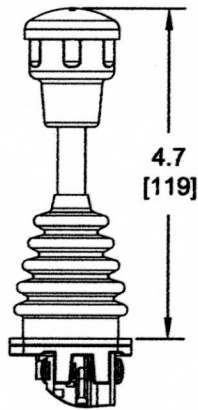


PRO-4 OVERALL HANDLE OPTION DIMENSIONS

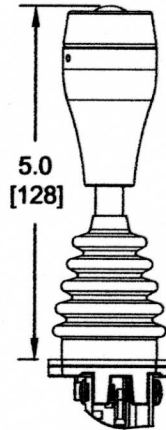
**ROUND BALL
1.57 [40] Ø
& 4.5 [115] SHAFT**



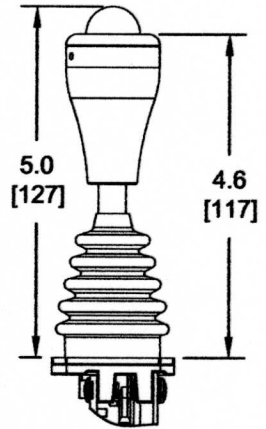
**2 PIECE HANDLE
& 4.5 [115] SHAFT**



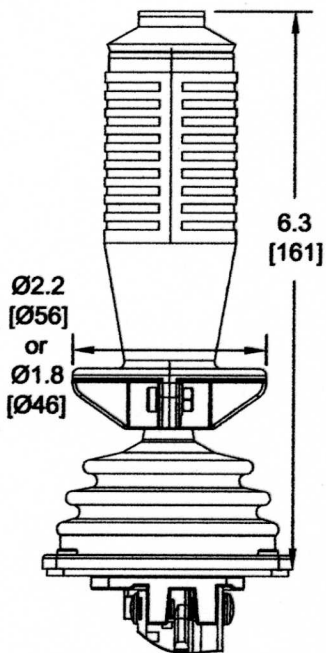
**MG27V
& 4.5 [115] SHAFT**



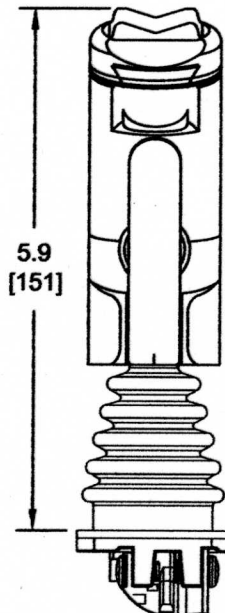
**MG27
& 4.5 [115] SHAFT**



**RHN-01 HANDLE
& 3.7 [95] SHAFT**



**BH HANDLE
& 3.3 [85] SHAFT**



**RHS HANDLE
1.57 [40] Ø BOOT
& 3.4 [87] SHAFT**

