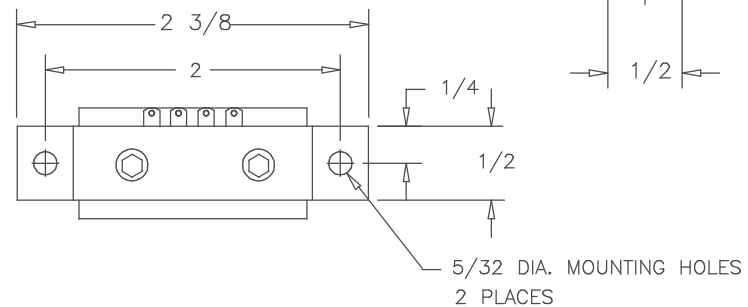
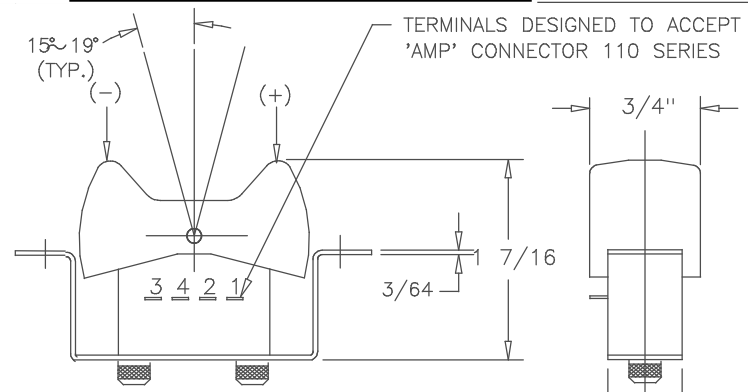


# SPECIFICATIONS

RESISTANCE -----	1K,5K,10K,20K ±15%
LINEARITY (INDEPENDENT)-----	±3%
POWER RATING-----	0.1 WATTS
ELECTRICAL ANGLE-----	30°±5°
MECHANICAL ANGLE-----	±15° ~ ±19°
CENTER RETURN ACCURACY-----	50% ±3%
RESOLUTION-----	ESSENTIALLY INFINITE
MAX. WIPER OUTPUT-----	1 mA RECOMMENDED, 5mA MAX.
OUTPUT SMOOTHNESS-----	BELOW 0.2% AGAINST INPUT VOLTAGE
CONTACT RESISTANCE VARIATION-----	BELOW 5% C.R.V.
INSULATION RESISTANCE-----	1000MEGOHMS @ 500VDC MIN.
DIELECTRIC STRENGTH-----	1 MINUTE AT 500 VAC
STARTING TORQUE-----	.15 OZ. IN. ~ .18 OZ. IN.
WIPER CURRENT-----	BELOW 10 uA
WEIGHT-----	APPROX. 0.7 OZ.
OPERATING TEMPERATURE-----	-20°C TO +65°C
STOPPER STRENGTH-----	OVER 0.03 OZ. IN.
VIBRATION-----	10 - 55 Hz, 10G.
SHOCK-----	30G.
LIFE EXPECTANCY-----	APPROX. 2,000,000 OPERATIONS.

Precision Sales Inc. 610-359-1002  
F: 610-353-1674

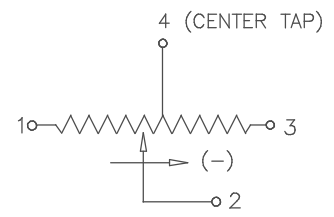
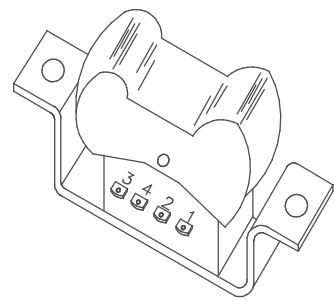
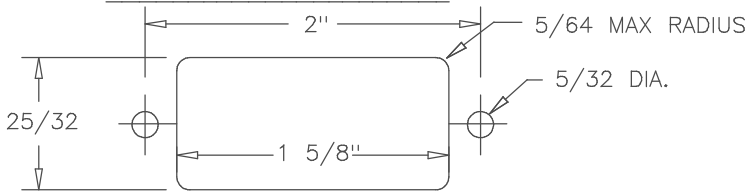
P/N J3R



## MATERIALS

HOUSING-----	HIGH TEMP. THERMO PLASTIC
TERMINALS-----	GOLD PLATED BRASS
RESISTANCE ELEMENT-----	CONDUCTIVE PLASTIC

## SUGGESTED PANEL LAYOUT



SCHEMATIC

20K	YES	TO CENTER	J3R-IT-20K
1K	YES	TO CENTER	J3R-IT-1K
1K	NO	TO TERMINAL #1	J3R-E-1K
10K	NO	TO CENTER	J3R-I-10K
5K	NO	TO CENTER	J3R-I-5K
10K	NO	TO TERMINAL #1	J3R-E-10K
5K	NO	TO TERMINAL #1	J3R-E-5K
5K	YES	TO CENTER	J3R-IT-5K
10K	YES	TO CENTER	J3R-IT-10K

RESISTANCE	CENTER TAP	POSITION SPRING RETURNS ROCKER	MODEL
------------	------------	--------------------------------	-------