

REV.	BY	DATE	P/N	J30H-XYZ-B

**ELECTRICAL SPECIFICATIONS**

CURRENT CONSUMPTION ----- APPROX. 6mA  
 APPLIED VOLTAGE ----- 5V DC±10%  
 LINEARITY (INDEPENDENT) ----- ±3.0%  
 LOAD RESISTANCE ----- 100K OHM MIN.  
 LEVER ELECTRICAL ANGLE X,Y AXIS ----- 30° MAX.  
 LEVER ELECTRICAL ANGLE Z AXIS ----- 60° MAX.  
 RESOLUTION ----- ESSENTIALLY INFINITE  
 OUTPUT TEMPERATURE CHARACTERISTIC ----- BELOW ±2.5% V(OUT)  
 INSULATION RESISTANCE ----- OVER 100 MEGA OHMS @ 250VDC.  
 DIELECTRIC STRENGTH ----- 1 MINUTE AT 250 VAC  
 DRIFT AT CENTER POSITION ----- BELOW ±0.5% V(OUT)  
 EMC IMMUNITY ----- 50V/m (80MHz-1GHz SINE WAVE)

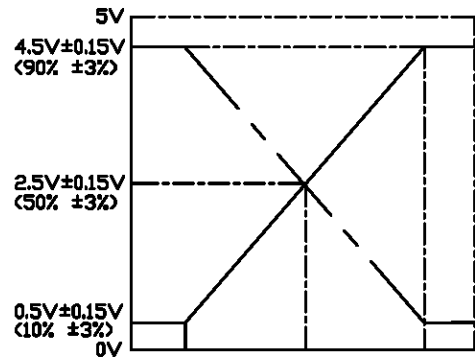
**MECHANICAL**

RANGE OF OPERATING X,Y AXIS ----- ±15° FROM CENTER  
 RANGE OF OPERATING X,Y AXIS ----- ±30° FROM CENTER  
 OPERATING FORCE X,Y AXIS ----- APPROX. 5.39 ~10.79 OZ.FORCE  
 OPERATING FORCE Z AXIS ----- APPROX. 1.39 ~4.16 OZ.IN FORCE  
 OPERATING TEMPERATURE ----- -20°C TO +60°C  
 LIFE EXPECTANCY ----- 1 MILLION OPERATIONS  
 VIBRATION ----- 10G @ 55HZ  
 SHOCK ----- 30G

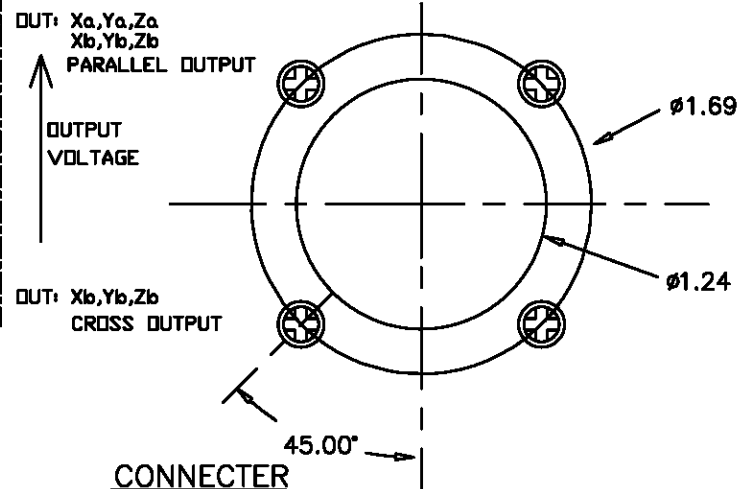
**MATERIALS**

HOUSING ----- HIGH TEMP. THERMO PLASTIC  
 INGRESS PROTECTION ----- IP54

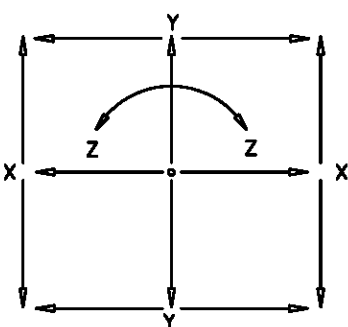
**SCHEMATIC**




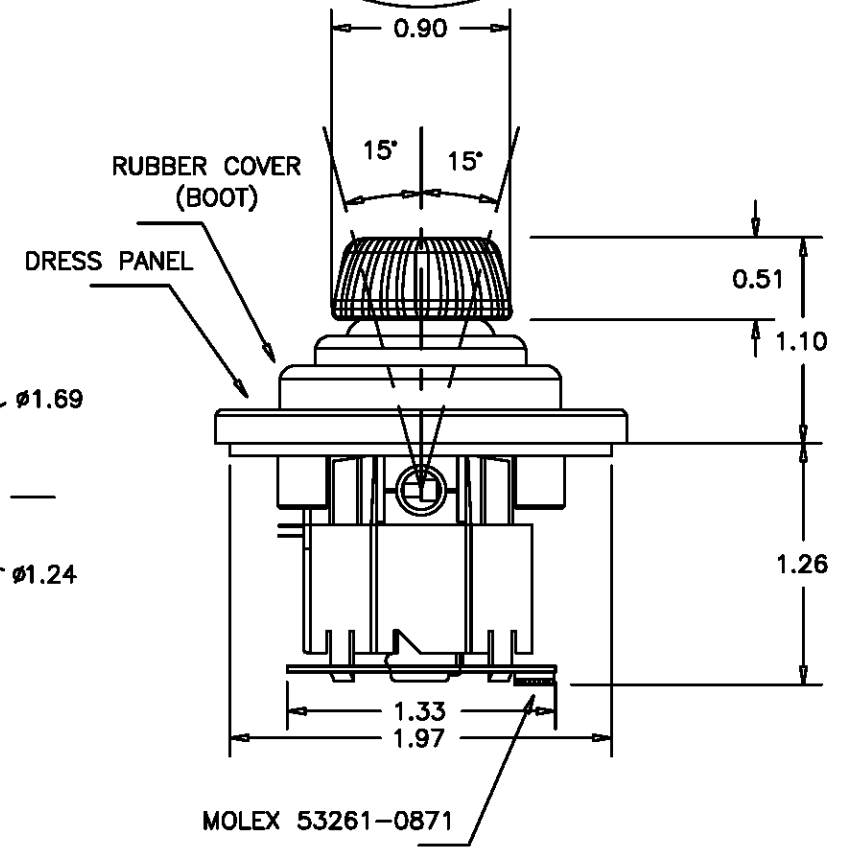
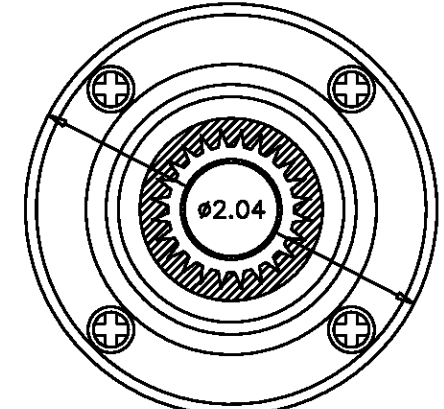
**PANEL ARRANGEMENT**



**LEVER OPERATION**



**CONNECTER**  
  
 MOLEX 51021-0800



SCALE NONE	DATE: 7/01/04	Precision Sales Inc P : 610-359-1002 F:610-353-1674	TITLE	PART NO.
	BY AT		HALL EFFECT JOYSTICK	J30H-XYZ-B
CODE IDENT: 19477	APPRV'D			