

SPECIFICATIONS

ELECTRICAL

RESISTANCE	10K OHMS
RESISTANCE TOLERANCE	±20%
LINEARITY (INDEPENDENT)	±5.0%
POWER RATING	0.1 WATT, (0.04 FOR "Z" AXIS)
LEVER ELECTRICAL ANGLE	20°, (60° FOR "Z" AXIS)
RESOLUTION	ESSENTIALLY INFINITE
OUTPUT SMOOTHNESS	BELOW 0.2% AGAINST INPUT VOLTAGE
CONTACT RESISTANCE VARIATION	BELOW 6% C.R.V.
INSULATION RESISTANCE	1000 MEGA OHMS @ 500VDC.
DIELECTRIC STRENGTH	1 MINUTE AT 500 VAC
MAX. WIPER OUTPUT	10µA RECOMMENDED, 1mA MAX.

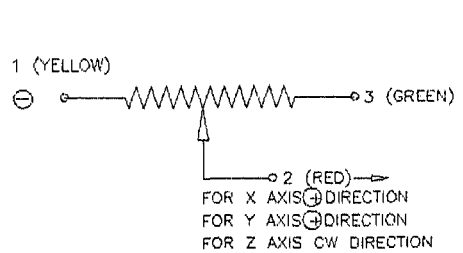
MECHANICAL

RANGE OF OPERATING LEVER	"X" & "Y": ±10° ~ ±15° FROM CENTER "Z" AXIS: ±30° ~ ±35° FROM KNOB CENTER
OPERATING FORCE	"X" & "Y": APPROX. 3.6 ~ 7.14 OZ-F. "Z" AXIS: APPROX. 4.23 ~ 9.87 OZ-IN.
OPERATING TEMPERATURE	-20°C TO +60°C
LIFE EXPECTANCY	2 MILLION OPERATIONS
WEIGHT	APPROX. 21 OZ.
SHOCK	1.0 OZ.

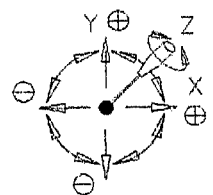
MATERIALS

HOUSING	ALUMINUM AND HIGH TEMP. THERMO PLASTIC
ELEMENT	CONDUCTIVE PLASTIC
KNOB	HARD PLASTIC

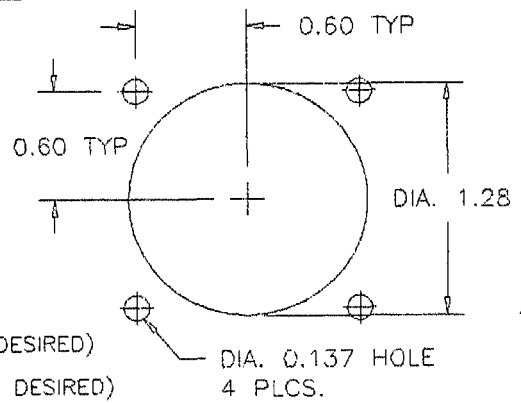
SCHEMATIC



"N" LEVER DIRECTION



PANEL ARRANGEMENT



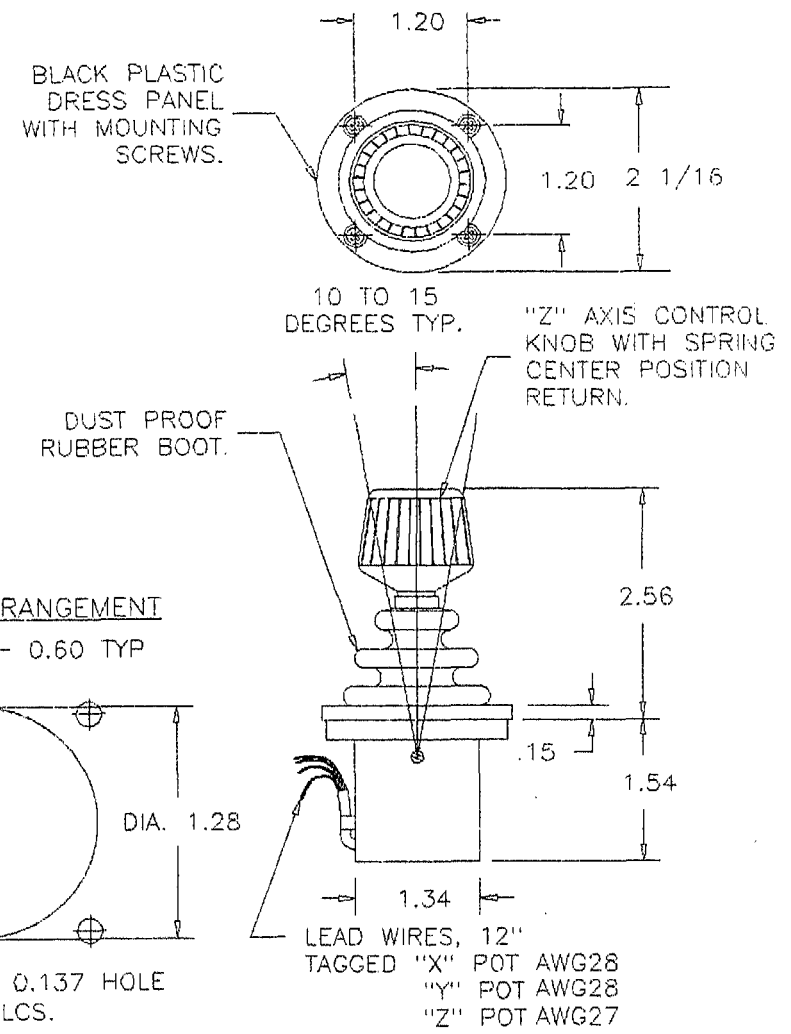
NOMENCLATURE

J30-N M 3 0-S M B

- RUBBER BOOT. (LEAVE BLANK IF NOT DESIRED)
- MOUNTING PANEL
- SPRING RETURN. (LEAVE BLANK IF NOT DESIRED)
- No. OF SWITCHES. (6 POSSIBLE)
- No. OF POTENTIOMETERS (3 POSSIBLE)
- HANDLE DESIGN
- LEVER DIRECTION
- JOYSTICK SERIES

SCALE	DATE:	Precision Sales & Equipment Inc 610-359-1002 F : 610-353-1674
NONE	BY	
CODE IDENT:	APPRV'D	

TITLE	PART NO.
JOYSTICK	J30-NM30-SB



THIS DOCUMENT CONTAINS PROPRIETARY DATA OF POLARIS INDUSTRIAL ENTERPRISES, INC. NO DISCLOSURE, REPRODUCTION, OR USE OF ANY PART THERE OF MAY BE MADE EXCEPT BY WRITTEN PERMISSION.

REV.	BY	DATE	APPRVL.
B	DMS	7/17/98	

P/N J30-NM30-SB
REVISED DIMS./ REVISED UNIT OF MEASURE: 'OPERATING FORCE'