

### ELECTRICAL

RESISTANCE = 10K ±20%  
 LINEARITY = ±3%  
 ELECTRICAL ANGLE = APPROX 75°  
 CENTER SHORTENED ZONE ABT. 8°  
 CENTER RETURNING ACCURACY : 50% ±1.5%  
 OUTPUT SMOOTHNESS = BELOW 0.2% OF INPUT  
 CONTACT RESISTANCE VARIATION = < 5%CRV  
 RESOLUTION = ESSENTIALLY INFINITE  
 DIELECTRIC STRENGTH = 500VAC, 1 MIN.  
 INSULATION RESISTANCE = 1000 MEGOHM MIN  
 AT 500 VDC  
 WIPER CURRENT = 1mA MAX

### MECHANICAL

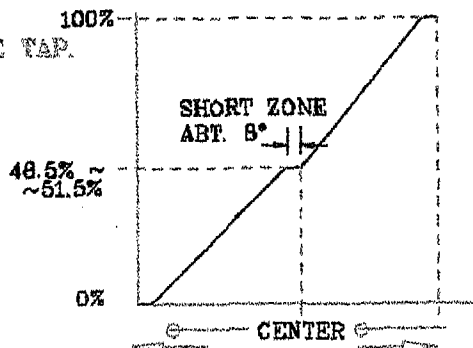
LIFE EXPECTANCY = ~ 1,000,000  
 OPERATING ANGLE = APPROX 11°  
 OPERATING FORCE ABT. 2000gf  
 AUTOMATIC SPRING RETURN TO CENTER  
 OPERATING TEMPERATURE = -20°~+85°C  
 WEIGHT = APPROX 1.5KG

### ENVIRONMENTAL

VIBRATION = 10~55HZ 10G  
 SHOCK = 30G  
 IP RATING = 54

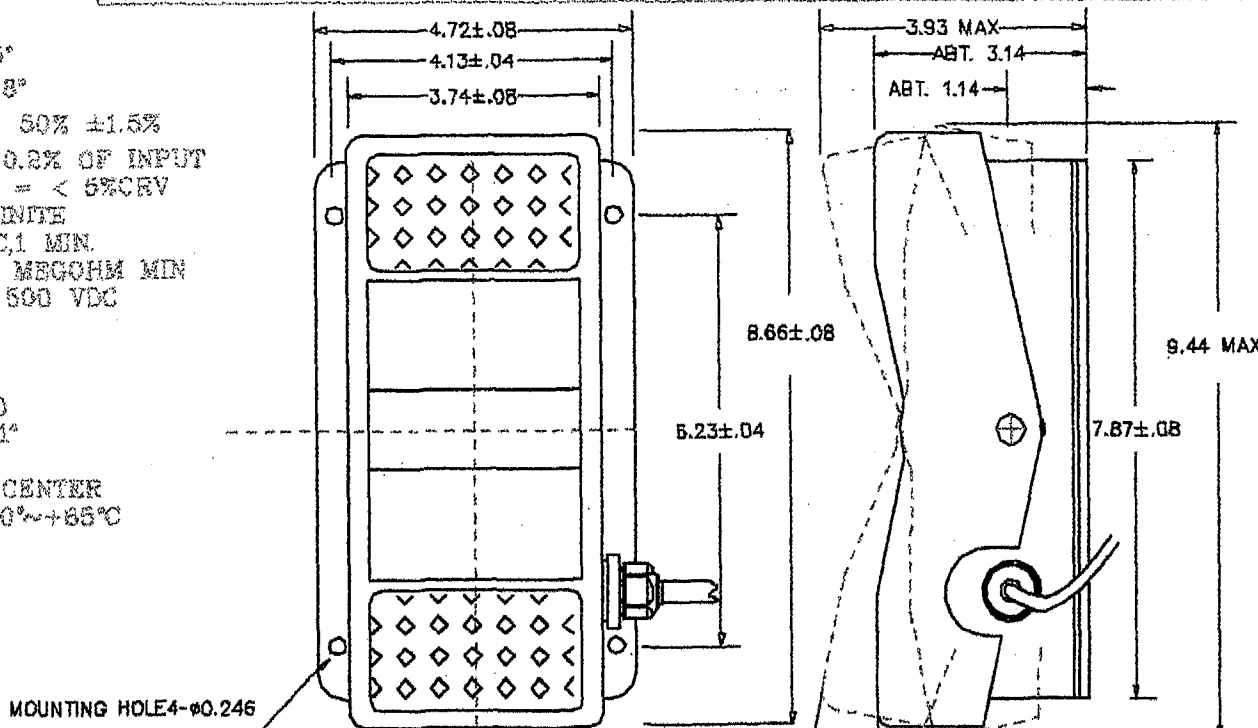
### OPTIONS

1 mA, 24V SWITCH  
 5 A, 125V MICRO SWITCH  
 DUAL GANGED, 100%  
 INTERMEDIATE TAP.  
 IP65 RATING.

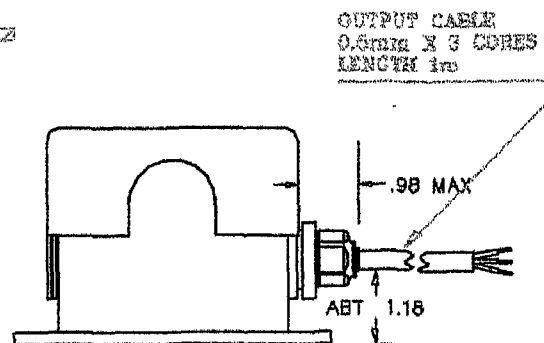
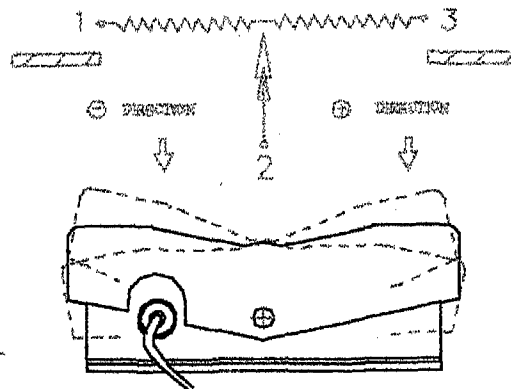


THIS DOCUMENT CONTAINS PROPRIETARY DATA OF POLARIS INDUSTRIAL ENTERPRISES, INC. NO DISCLOSURE, REPRODUCTION, OR USE OF ANY PART THERE OF MAY BE MADE EXCEPT BY WRITTEN PERMISSION.

REV.	BY	DATE	APPRVL.	E/N	FC200W-10
------	----	------	---------	-----	-----------



### OUTPUT CHARACTERISTICS



**TOLERANCES**  
 XX = +/- .010° FRACT. = +/- 1/64°  
 XXX = +/- .005° ANGLES = +/- 1/2°  
 ALL SPECIFICATIONS SUBJECT TO CHANGE WITHOUT NOTICE.

SCALE	DATE: 10-08-02
NONE	BY
CODE IDENT: 19477	APPR'D AT

PRECISION SALES INC  
[www.precisionsales.com](http://www.precisionsales.com)  
 610-359-1002  
 FAX 610-353-1674

TITLE  
 FOOT PEDAL

PART NO.  
 FC200W-10