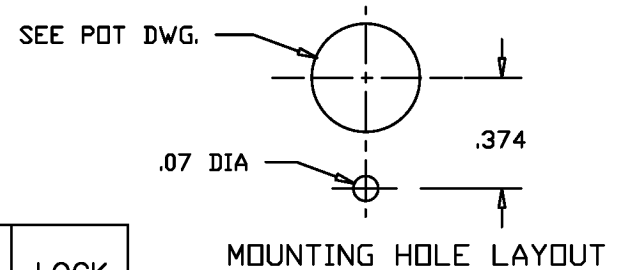
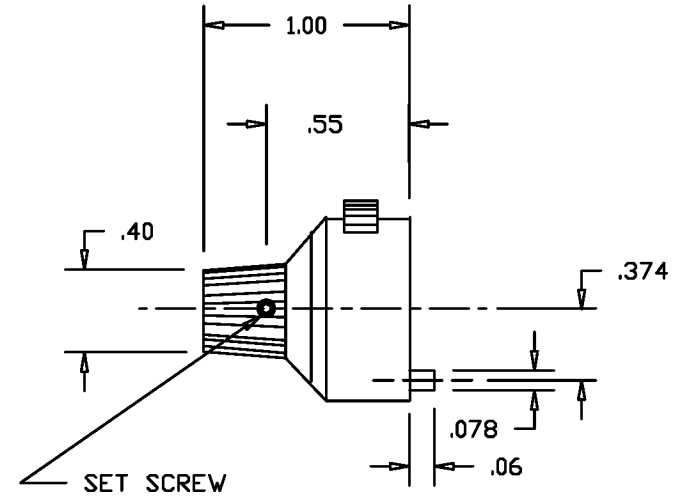
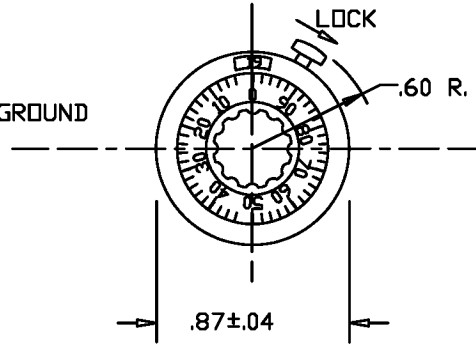


SPECIFICATIONS

URNS COUNTED -----	20
DIAMETER -----	7/8 INCH
EXTENSION FROM PANEL -----	1.0 INCHES
PANEL THICKNESS(MAX) -----	1/4 INCH
WEIGHT -----	.2 OZ
HOUSING MATERIAL -----	ALUMINUM
FINISH(HOUSING) -----	SEE CHART
KNOB MATERIAL -----	BLACK NYLON
NUMBERS -----	WHITE ON BLACK BACKGROUND

FEATURES

- COUNTS 20 TURNS.
- ONE PIECE MOUNTING
- LARGE,EASY TO READ NUMBERS
- SMOOTH ADJUSTMENT
- OVER CENTER LOCK
- ATTRACTIVE APPEARANCE
- LOW COST



MODEL	MATCHING SHAFT SIZE	COLOR	LOCK	MODEL	MATCHING SHAFT SIZE	COLOR	LOCK
MG22N-1/8	1/8	SATIN	NO	MG22L-1/8	1/8	SATIN	YES
MG22N-1/4	1/4	SATIN		MG22L-1/4	1/4	SATIN	
MG22N-6MM	6MM	SATIN		MG22L-6MM	6MM	SATIN	
MG22N-3/32	3/32	SATIN		MG22L-3/32	3/32	SATIN	
MGA22N-1/8	1/8	BLACK	NO	MGA22L-1/8	1/8	BLACK	YES
MGA22N-1/4	1/4	BLACK		MGA22L-1/4	1/4	BLACK	
MGA22N-6MM	6MM	BLACK		MGA22L-6MM	6MM	BLACK	
MGA22N-3/32	3/32	BLACK		MGA22L-3/32	3/32	BLACK	
MGG22N-1/8	1/8	GRAY	NO	MGG22L-1/8	1/8	GRAY	YES
MGG22N-1/4	1/4	GRAY		MGG22L-1/4	1/4	GRAY	
MGG22N-6MM	6MM	GRAY		MGG22L-6MM	6MM	GRAY	
MGG22N-3/32	3/32	GRAY		MGG22L-3/32	3/32	GRAY	

Precision Sales Inc
www.precisionsales.com
eparts@precisionsales.com
 610-359-1002