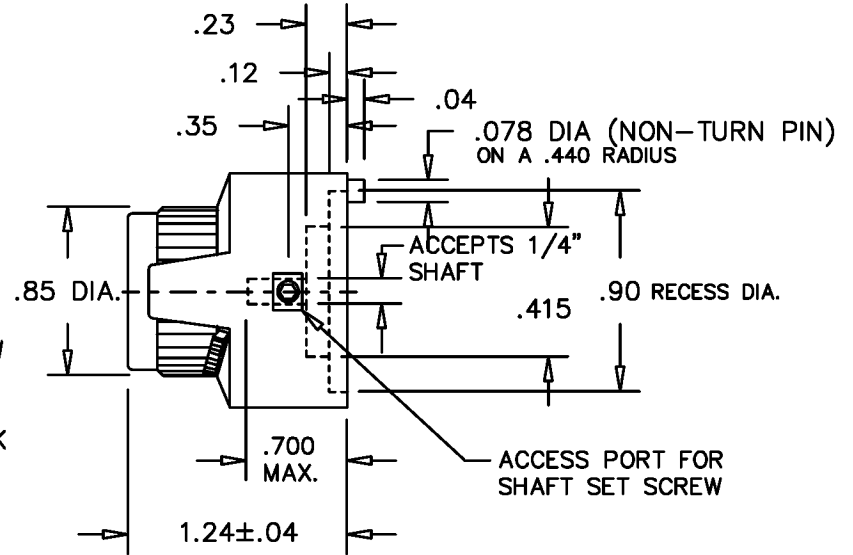
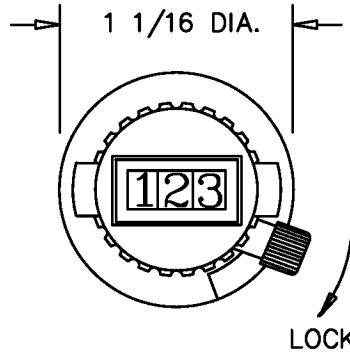
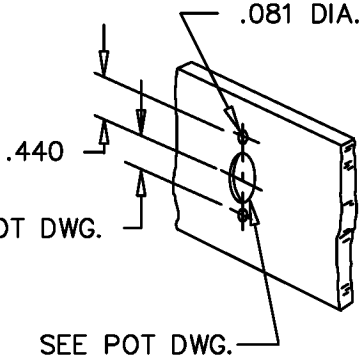


SPECIFICATIONS

ACCURACY ----- ±0.35% OF VOLTAGE RATIO
 REPEATABILITY ----- ±0.02% OR RESOLUTION OF POT
 OPERATING TEMPERATURE RANGE ----- -30°C TO 85°C
 TURNS ----- 10 (000 TO 999 COUNTS)
 LOCK ----- OVER THE CENTER
 HOUSING MATERIAL ----- HIGH TEMP. BLACK PLASTIC

PANEL LAYOUT



PART #	SHAFT DIA.	LOCKING UNIT
DC27L-1/4	0,250	YES
DC27N-1/4	0.250	NO
DC27L-1/8	0.125	YES
DC27N-1/8	0.125	NO
DC27L-6mm	6mm	YES
DC27N-6mm	6mm	NO
DC27L-3mm	3mm	YES
DC27N-3mm	3mm	NO

NOTES

- COMPATIBLE ETI SYSTEMS POTENTIOMETERS 3 TO 30 TURNS.
 MW20B MW46B MH20B
 MW22B MR46B MH46B
- POT/DIAL COMBINATIONS AVAILABLE
 SEE ETI SPECIFICATION DC22.
- OTHER SHAFT SIZE BUSHINGS AVAILABLE
- NUMBERS INCREASE WITH CLOCKWISE ROTATION

Precision Sales Inc
 www.precisionsales.com
 eparts@precisionsales.com
 610-359-1002